

TEXAS INSTRUMENTS

Bringing Affordable Electronics To Your Fingertips

Graphics Programming Language

Programmer's Guide

ORIGINAL ISSUE 1 MAY 1979

REVISED 1 JUNE 1979

REVISED 3 DECEMBER 1979

Personal Computer Division



TEXAS INSTRUMENTS
GRAPHICS PROGRAMMING LANGUAGE
USER'S GUIDE

© TEXAS INSTRUMENTS INCORPORATED 1979
ALL RIGHTS RESERVED

Personal Computer Division

June 1, 1979

Revised December 3, 1979

TABLE OF CONTENTS

GRAPHICS PROGRAMMING LANGUAGE

| | | <u>PAGE</u> |
|-------------|-----------------------------------|-------------|
| Section 1.0 | GRAPHICS PROGRAMMING LANGUAGE | 1-1 |
| 1.1 | Overview | 1-1 |
| 1.2 | GPL Instruction Synopsis | 1-2 |
| 1.3 | GPL Timing | 1-2 |
| 1.4 | GPL Assembler | 1-3 |
| 1.5 | Software Monitor Reconfiguration | 1-3 |
| 1.6 | Foreign Language Screens | 1-4 |
| 1.7 | Applicable Documents | 1-4 |
| Section 2.0 | SUMMARY OF SYSTEM ORGANIZATION | 2-1 |
| 2.1 | VDP Organization | 2-1 |
| 2.1.1 | Patterns | 2-1 |
| | Pattern Name Table | 2-2 |
| | Pattern Generator Sets | 2-2 |
| | Pattern Color Table | 2-2 |
| 2.1.2 | Sprites | 2-3 |
| | Sprite Attribute Block (SAB) | 2-3 |
| | Sprite Descriptor Block (SDB) | 2-6 |
| | Sprite Velocity Block (SVB) | 2-7 |
| 2.1.3 | VDP Text Mode and Multicolor Mode | 2-8 |
| 2.2 | System Memory Organization | 2-9 |
| Section 3.0 | GPL INSTRUCTIONS | 3-1 |
| 3.1 | Addressing Memory | 3-2 |
| 3.1.1 | Immediate Field (IMM) | 3-2 |
| 3.1.2 | Global Source (GS) | 3-4 |
| 3.1.3 | Global Destination (GD) | 3-4 |
| 3.1.4 | Label | 3-5 |
| 3.1.5 | Addressing Modes | 3-5 |
| 3.2 | Format Types | 3-9 |
| 3.3 | Running GPL Programs | 3-12 |
| 3.3.1 | The Status Block | 3-17 |
| | Maxmem | 3-17 |
| | Data Stack | 3-17 |
| | Subroutine Stack | 3-18 |
| | Keyboard | 3-18 |
| | Key | 3-18 |
| | Joystick Y | 3-18 |
| | Joystick X | 3-18 |
| | Random Number | 3-18 |
| | Timer | 3-18 |
| | Motion | 3-19 |
| | VDP Status | 3-19 |
| | Status | 3-19 |
| | Character Buffer | 3-19 |
| | Y-Pointer | 3-19 |
| | X-Pointer | 3-19 |
| 3.4 | The Status Byte | 3-22 |

TABLE OF CONTENTS
Page 2

| | | |
|-------------|---|------|
| Section 4.0 | INSTRUCTION DESCRIPTIONS | 4-1 |
| 4.1 | Compare and Test Instructions | 4-2 |
| 4.1.1 | Text Logical High Bit | 4-2 |
| 4.1.2 | Test Arithmetic Greater Than Bit | 4-3 |
| 4.1.3 | Test Carry Bit | 4-4 |
| 4.1.4 | Test Overflow Bit | 4-5 |
| 4.1.5 | Compare Equal | 4-6 |
| 4.1.6 | Compare High | 4-7 |
| 4.1.7 | Compare Logical High or Equal | 4-8 |
| 4.1.8 | Compare Greater Than | 4-9 |
| 4.1.9 | Compare Greter Than or Equal | 4-10 |
| 4.1.10 | Compare Logical | 4-11 |
| 4.1.11 | Compare Zero | 4-12 |
| 4.2 | Program Control Instructions | 4-13 |
| 4.2.1 | Branch on Set | 4-13 |
| 4.2.2 | Branch on Reset | 4-14 |
| 4.2.3 | Branch | 4-15 |
| 4.2.4 | Case | 4-16 |
| 4.2.5 | Call Subroutine | 4-17 |
| 4.2.6 | Fetch | 4-18 |
| 4.2.7 | Return from Subroutine | 4-19 |
| 4.2.8 | Return from Subroutine (Save Condition) | 4-20 |
| 4.3 | Bit Manipulation Instructions | 4-21 |
| 4.3.1 | Reset Bit | 4-21 |
| 4.3.2 | Set Bit | 4-21 |
| 4.3.3 | Test if Bit Reset | 4-21 |
| 4.4 | Arithmetic and Logical Instructions | 4-22 |
| 4.4.1 | Add | 4-23 |
| 4.4.2 | Subtract | 4-24 |
| 4.4.3 | Multiply | 4-25 |
| 4.4.4 | Divide | 4-26 |
| 4.4.5 | Increment by One | 4-27 |
| 4.4.6 | Increment by Two | 4-28 |
| 4.4.7 | Decrement by One | 4-29 |
| 4.4.8 | Decrement by Two | 4-30 |
| 4.4.9 | Abosolute Value | 4-31 |
| 4.4.10 | Negate | 4-32 |
| 4.4.11 | Invert | 4-33 |
| 4.4.12 | Logical AND | 4-34 |
| 4.4.13 | Logical OR | 4-35 |
| 4.4.14 | Exclusive OR | 4-36 |
| 4.4.15 | Clear Location | 4-37 |
| 4.4.16 | Store | 4-38 |
| 4.4.17 | Exchange | 4-39 |
| 4.4.18 | Push Onto Data Stack | 4-40 |
| 4.4.19 | Pop Off of Data Stack | 4-41 |
| 4.4.20 | Block Move | 4-42 |
| 4.4.21 | Shift Left Logical | 4-43 |
| 4.4.22 | Shift Right Arithmetic | 4-44 |
| 4.4.23 | Shift Right Logical | 4-45 |
| 4.4.24 | Shift Right Circular | 4-46 |

TABLE OF CONTENTS
Page 3

| | | |
|------------|---|------|
| 4.5 | Graphics and Miscellaneous Instructions | 4-47 |
| 4.5.1 | Coincidence | 4-47 |
| 4.5.2 | Load Backdrop Color | 4-48 |
| 4.5.3 | Load Screen | 4-49 |
| 4.5.4 | Formatted Block Move | 4-50 |
| 4.5.5 | Generate Random Number | 4-53 |
| 4.5.6 | Scan Keyboard | 4-54 |
| 4.5.7 | Execute Machine Language | 4-55 |
| 4.5.8 | Exit GPL | 4-57 |
| 4.5.9 | I/O Instruction | 4-58 |
| 4.5.10 | HOME | 4-59 |
| Appendix A | THE GPL ASSEMBLER | A-1 |
| | Source File Format | A-1 |
| | Assembler Directives | A-2 |
| | DATA | A-2 |
| | TITLE | A-2 |
| | END | A-2 |
| | EQU | A-2 |
| | GROM | A-3 |
| | ORG | A-3 |
| | BASE | A-3 |
| | PAGE | A-4 |
| | LIST | A-4 |
| | UNL | A-4 |
| | LISTM | A-4 |
| | UNLM | A-4 |
| | GPL MACROS | A-5 |
| | \$END | A-5 |
| | \$SEND | A-5 |
| | \$WHILE | A-5 |
| | \$REPEAT | A-5 |
| | \$UNTIL | A-5 |
| | \$FOR GD = GS TO GS BY GS | A-5 |
| | \$FOR GD = GS DOWNTO GS BY GS | A-6 |
| | \$IF - GOTO | A-6 |
| | \$IF - THEN | A-6 |
| | \$ELSE | A-6 |
| | \$ELSE | A-6 |
| | \$CASE | A-6 |
| | \$GOTO | A-7 |
| | \$CALL | A-7 |
| | COMPARISON | A-7 |
| Appendix B | AUTOMATIC SPRITE MOTION | B-1 |
| Appendix C | AUTO-SOUND INSTRUCTION | C-1 |
| | Table Format | C-1 |
| | Sound Generator Chip (SGC) | |
| | Control Summary | C-3 |
| | Attenuation Control | C-3 |
| | Frequency Control | C-3 |
| | Noise Control | C-4 |

TABLE OF CONTENTS
Page 4

| | | |
|------------|--|------|
| Appendix D | HANDSET/KEYBOARD INTERFACE | D-1 |
| | 40-Key Keyboard | D-1 |
| | Remote Handsets | D-1 |
| | Remote Keyboard | D-2 |
| | Wired Handsets | D-2 |
| Appendix E | COINCIDENCE DETECTION | E-1 |
| | Constructing Coincidence Tables for Mapping = 0 | E-2 |
| | Higher Mapping Values | E-4 |
| Appendix F | I/O INSTRUCTION | F-1 |
| Appendix G | TEXT AND MULTICOLOR MODE | G-1 |
| Appendix H | DEVICE I/O | H-1 |
| | Monitor Functions | H-1 |
| | System Initialization | H-1 |
| | Power-Up Routines | H-3 |
| | General Subroutines Provided by the Monitor | H-5 |
| | Exit | H-4 |
| | Bit Reversal | H-5 |
| | Writing I/O Routines | H-6 |
| | Subroutine and DSR Calls | H-6 |
| | Interrupt Routines | H-7 |
| Appendix I | CASSETTE DSR | I-1 |
| | Definition | I-1 |
| | Mode of Operation | I-2 |
| | Implementation | I-2 |
| | Peripheral Access Block (PAB) Definition | I-2 |
| | I/O Opcodes | I-7 |
| | Open | I-8 |
| | Close | I-8 |
| | Read | I-8 |
| | Write | I-9 |
| | Restore/Rewind | I-9 |
| | Load | I-9 |
| | Save | I-10 |
| | Delete | I-10 |
| | Scratch Record | I-10 |
| | Verify | I-10 |
| | Error Codes | I-11 |
| | Bad Device Name | I-11 |
| | Illegal Operation | I-11 |
| | Device Error | I-11 |
| | Issuing the Command to the Cassette DSR | I-11 |
| | Audio Gate | I-12 |
| | Motor Control | I-13 |

TABLE OF CONTENTS

Page 5

| | | |
|--------------------|---|------|
| Appendix J | LIST OF INSTRUCTIONS | J-1 |
| | Alphabetic | J-1 |
| | Instruction Map | J-4 |
| Appendix K | FLOATING POINT OPERATIONS | K-1 |
| | CNS - Convert Number to String | K-2 |
| | INT - Greatest Integer Function | K-3 |
| | PWR - Involution Routine | K-4 |
| | SQR - Square Root Routine | K-5 |
| | EXP - Exponential Routine | K-5 |
| | LOG - Natural Logarithm Routine | K-6 |
| | COS - Cosine Routine | K-7 |
| | SIN - Sine Routine | K-8 |
| | TAN - Tangent Routine | K-8 |
| | ATN - Arctangent Routine | K-9 |
| | CSN - Convert String to Number | K-10 |
| | CFI - Convert Floating Point to Integer | K-10 |
| | FADD - Floating Point Addition | K-11 |
| | FSUB - Floating Point Subtraction | K-11 |
| | FMUL - Floating Point Multiplication | K-12 |
| | FDIV - Floating Point Divide | K-12 |
| | FCOMP - Floating Point Compare | K-13 |
| | SADD - Value Stack Addition | K-13 |
| | SSUB - Value Stack Subtraction | K-14 |
| | SMUL - Value Stack Multiplication | K-14 |
| | SDIV - Value Stack Division | K-15 |
| | SCOMP - Value Stack Compare | K-15 |
| | RADIX 100 - Internal Format | K-16 |
| Appendix L | 9900 ASSEMBLY LANGUAGE | L-1 |
| Appendix M | PROGRAMMER/PLANNER STANDARDS | M-1 |
| | Purpose | M-1 |
| | Screen Processing and Function Key Usage | M-2 |
| | Screen Formats | M-8 |
| | Menus, Submenus | M-8 |
| | Prompts | M-9 |
| | Multi-Lingual Planning | M-11 |
| Glossary | | |
| Alphabetical Index | | |

LIST OF FIGURES AND TABLES

| <u>Figure/Table</u> | <u>Description</u> | <u>Page</u> |
|---------------------|--|--------------|
| 2.1 | Color Nybble Assignments | 2-4 |
| 2.1.A | Best Color Combinations | 2-5 |
| 2.2 | CPU RAM Memory Map | 2-10,2-11 |
| 2.3 | VDP RAM Memory Map | 2-12 |
| 3.1 | Syntax for GS, GD | 3-7 |
| 3.2 | Formats of Instructions | 3-10,3-11 |
| 3.3 | Default Character Set | 3-13 |
| 3.4 | VDP Registers | 3-15 |
| 3.4.A | Command Register Values | 3-16 |
| 3.5 | Status Block | 3-21 |
| 4.5.1 | XML Table | 4-56 |
| A.1 | Macro Expansions | A-8,A-9,A-10 |
| D.1 | Console Keyboard | D-4 |
| D.1.A | Console Keyboard Hex-Code Assignments | D-5 |
| D.2 | Handheld Unit Keyboard | D-6 |
| D.2.A | Console Keyboard Mapped as Two Handheld Units | D-7 |
| D.3 | Joystick Codes | D-8 |
| E.1 | Coincidence Testing | E-6 |
| E.2 | Coincidence Bit Table | E-6 |
| E.3 | Manually Constructing a Bit Table | E-7 |
| E.4 | Magnification Zero Table | E-8 |
| G.1 | Multicolor Mode Screen Format | G-5 |

LIST OF FIGURES AND TABLES

Page 2

| | | |
|-----|----------------------|------|
| H.1 | GROM Header | H-2 |
| H.2 | Program Header | H-2 |
| I.1 | PAB Layout | I-6 |
| I.2 | I/O Opcodes | I-7 |
| J.2 | Instruction Map | J-4 |
| M.1 | Function Key Summary | M-8 |
| M.2 | CPU-RAM CHart | M-14 |
| M.3 | Sprite Table | M-15 |
| M.4 | Title | M-16 |
| M.5 | Screen Display | M-17 |

1.0 GRAPHICS PROGRAMMING LANGUAGE

The system software resident in the product consists of a monitor and a GPL (Graphics Programming Language) processor. It is the function of the monitor to insure that every time the system is turned on, a new cartridge is inserted, or an existing program terminates, that all memory and peripheral devices are initialized. The GPL processor is an interpreter optimized to execute GPL programs directly out of GROM. The GPL processor software is coded in TMS 9900 assembly language.

1.1 OVERVIEW

GPL is a programming language specially developed by Texas Instruments to provide the best possible tradeoff of code compaction, execution speed, and ease of program development for the target computer system. The GPL instruction set facilitates development of programs which make use of the unique features of the system chip set. It is byte oriented, and instructions typically have one or two operands. The addressing scheme is such that most instructions can access either standard microprocessor RAM, GROM, or the video scratchpad RAM address space easily.

Most instruction operands can be either single or double byte values. The addressing modes are: immediate, direct, indirect, indexed, indexed indirect (with pre-indexing), and 'top of stack'. Source operands and destination addresses can be in the CPU, video RAM, or in GROM. Support for two stacks is available; a data stack and a subroutine return address stack (allowing arbitrary nesting of subroutines).

1.2 GPL INSTRUCTION SYNOPSIS

GPL has the following types of instructions:

| | |
|-------------------|--|
| *DATA TRANSFER | -single or double byte transfers; -block to block transfers -formatted block transfers |
| *ARITHMETIC | -add, subtract, multiply, divide, negate, absolute value |
| *LOGICAL | -and, or ,exclusive or, shifting |
| *CONDITION TESTS | -arithmetic and logical tests |
| *BRANCHING | -unconditional and conditional |
| *BIT MANIPULATION | -set, reset, and test |
| *SUBROUTINING | -call, return, parameter fetching |
| *STACK OPERATIONS | -push and pop |
| *MISCELLANEOUS | -random number generation, key- board scan, coincidence detection pattern movement, sound control, TMS 9900 subroutine linking, I/O |

1.3 GPL TIMING

The GPL interpreter contains an interrupt driven service routine which is tied to the video scan. Video symbols may be moved about the screen automatically; also sounds may be generated from a sequence table.

These are of the "set it and forget it" type of instructions which free up the control program to do concurrent decision and computational operations. The interrupt also controls a software real time clock.

Each system will have a clock byte reserved in the console ROM at location >000C to indicate the clock rate for that system. Peripherals may read this byte to adjust their timing interface to the CPU's clock combinations in different consoles. The high nybble contains the integer frequency in megahertz and the low nybble, the fractional frequency.

1.4 GPL ASSEMBLER

The assembler for GPL (GPLASM) is written in a mixture of FORTRAN and assembly language and is currently available for installation on 990/10 DS minicomputers. The assembler provides standard features such as creation of a list file, cross reference tables, and error flagging. A set of macros is included to help structure GPL programs; these include statements such as: REPEAT ... UNTIL and IF ... THEN ... ELSE. The output of the assembler is a 990 object module.

1.5 SOFTWARE MONITOR RECONFIGURATION

The monitor code is executed whenever a system restart is required. The system parameters and control values are initialized to default values. A default character set is loaded into the video pattern generator, making it immediately available to GPL programs. This pattern set consists of 64 ASCII characters, including the upper-case alphabet, digits, arithmetic symbols, and punctuation symbols.

The monitor is also responsible for determining the existing system configuration. The power-up monitor must poll

add-on I/O peripherals and the 'SOLID STATE SOFTWARE CARTRIDGE' to determine which program to execute.

The Home Computer system has been designed to be flexible and expandable. Each plug-in ROM or GROM may contain power-up procedures. These power-up procedures will all be executed allowing for expansion of the power-up routines. A power-up routine may also be replaced by another.

1.6 FOREIGN LANGUAGE SCREENS

GPL code has been included in GROM 0 to allow a plug-in GROM to "translate" the main screen, the menu screen, and the cassette DSR messages to alternate languages. The main screen and the menu screen are "translated" after the screen has been formatted in English but while the screen is turned off (only the background color is visible on the screen). At this time, the plug-in GROM is checked for a negative version number (byte 1 of the GROM). When a negative version number is encountered, a routine is called at >6010 for the main screen or >6013 for the menu screen. These locations should contain unconditional branches to the routines in the plug-in GROM that will rewrite the screen in the desired language. These routines may use all of the usual CPU RAM locations (>0 through >6F) and the full facilities of the Monitor and Interpreter. The routines should end with a RTN instruction.

1.7 APPLICABLE DOCUMENTS

- System Monitor Specification

- TMS 9918 Video Display Processor Specification
- TMS 9919 Sound Generation Controller
- TMS 9900 Microprocessor Specification
- File Management Specification
- Home Computer System Memory, CRU, and Interrupt Mapping Specification

2.0 SUMMARY OF SYSTEM ORGANIZATION

The system, as supported by the interpreter, consists of a 9900 microprocessor with the following peripheral devices tied to it:

- *A Sound Generation Controller Chip
- *A Video Display Processor Chip
- *One or more GROM devices
- *At least one type of keypad entry device

The sound chip interface is discussed in Appendix C. The GROM is described in System Memory Organization below. The following is a quick summary of the VDP organization. For more detailed information on any of the system hardware, refer to the appropriate document.

2.1 VDP ORGANIZATION

The VDP RAM contents determine what will appear on the screen. They contain several sub-blocks, each of which is described below. The base address of each sub-block is determined by the contents of the VDP control registers. Also shown are the most commonly used values for these registers. These values keep all the sub-blocks within the first 4K bytes of VDP RAM, and insure that none of the sub-blocks overlap each other.

2.1.1 PATTERNS

The active area of the screen is divided into a grid of 192 pixals (vertical) by 256 pixels (horizontal). These pixels are then clustered into

8 x 8 pixel groups called Patterns. Thus there are 24 x 32 pattern positions on the screen in the normal mode.

There are three sub-blocks of VDP RAM associated with displaying patterns on the screen:

- Pattern Name Table (768 bytes)- Each byte corresponds to a pattern position on the screen, and its value is the pattern number (0 thru 255) displayed at that location.

- Pattern Generator Sets ($8 * 256 = 2048$ bytes)- Each block of 8 bytes in the Pattern Generator Set defines a pattern (8 x 8 pixels); the first 8 bytes correspond to pattern number 0 (as called out in the Pattern Name Table), the last 8 to pattern number 255. Note that a pattern is not displayed on the screen until an entry in the Pattern Name Table calls for it. Also, a pattern can be displayed in multiple positions on the screen by setting several entries in the Pattern Name Table to the same pattern number.

- Pattern Color Table (32 bytes)- Each byte of the Color Table contains in its left nybble a foreground color (1's in the pattern) and in its right nybble a background color (0's in the pattern). The first byte describes colors for pattern numbers 0 thru 7, the next for numbers 8 thru 15, etc. See Table 2.1 (page 2-4) for color nybble assignments. Table 2.1.A (page 2-5) contains some of the best foreground/background combinations.

2.1.2. SPRITES

Sprites are objects that exist essentially in planes in front of the pattern plane. These objects can be moved on a pixel-by-pixel basis, providing for excellent animation capability. Up to 32 Sprites may be on the screen at any time; however, no more than 4 on a given horizontal pixel line are allowed (subsequent sprites on that line will not be displayed). Three sub-blocks of VDP RAM define the Sprites:

- Sprite Attribute Block (SAB) ($4 * 32 = 128$ bytes)- Each 4-byte entry in this block describes the position and color of each Sprite:

byte 1- y-position of Sprite (>FF is top of screen, i.e., vertical position is 1 pixel less than desired starting position of sprite);

byte 2- x-position of Sprite (0 is left edge of screen);

byte 3- pointer to Sprite Descriptor Block entry;

byte 4- early clock and color nybble.

The pointers to Sprite Descriptor Block entries, when the recommended base addresses are chosen, range from >80 to >FF if no Sprite motion is used and from >80 to >EF if Sprite motion is used (each pointer points to a succeeding 8-byte block in the Sprite Descriptor Block). When size 1 sprites (32-byte) are chosen, the pointer value must be an even multiple of 4 (i.e. >80, >84, >88, etc.) and point to a 32-byte block in the Sprite Descriptor Block.

TABLE 2.1

COLOR NYBBLE ASSIGNMENTS

| <u>NYBBLE VALUE (>)</u> | <u>COLOR</u> |
|----------------------------|--------------|
| 0 | Transparent |
| 1 | Black |
| 2 | Green 2 |
| 3 | Green 1 |
| 4 | Blue 2 |
| 5 | Blue 1 |
| 6 | Red 3 |
| 7 | Cyan |
| 8 | Red 2 |
| 9 | Red 1 |
| A | Yellow 2 |
| B | Yellow 1 |
| C | Green 3 |
| D | Magenta |
| E | Gray |
| F | White |

When there is more than one shade of the same color, the lowest numbered color is the lightest and the highest numbered color is the darkest (e.g., Green 1 is the lightest, Green 2 is medium, and Green 3 is darkest.)

TABLE 2.1.A

BEST COLOR COMBINATIONS

BEST

Black on Medium Green
 Dark Green on Medium Green
 Dark Blue on Light Green
 Dark Green on Light Green
 Black on Light Blue
 Dark Blue on Light Blue
 Black on Dark Red
 Black on Cyan
 Dark Blue on Cyan
 Dark Green on Cyan
 Black on Medium Red
 Dark Red on Light Red
 Magenta on Light Red
 Dark Green on Dark Yellow
 Dark Green on Light Yellow
 Dark Red on Light Yellow
 Medium Green on Light Yellow
 Black on Dark Green
 Black on Magenta
 Dark Blue on Magenta
 Black on Gray
 Dark Blue on Gray
 Dark Red on Gray
 Dark Green on Gray
 Medium Green on White
 Dark Blue on White

THIRD BEST

Dark Red on Medium Red
 Medium Red on Light Reden
 Medium Green on Dark Yellow
 Light Green on Light Yellow
 Dark Blue on Light Yellow
 Medium Red on Light Yellow
 Medium Green on Gray
 Medium Red on Gray
 Magenta on Gray
 Black on White
 Medium Red on White
 Magenta on White
 White on Dark Red

SECOND BEST

Light Blue on Light Green
 Black on Dark Blue
 Black on Light Red
 Dark Green on Light Red
 Black on Dark Yellow
 Black on Light Green
 Black on Light Yellow
 Light Blue on Gray
 Light Green on White
 Light Blue on White
 Dark Red on White
 Dark Green on White

FOURTH BEST

Light Green on Black
 Light Blue on Black
 Dark Red on Black
 Cyan on Black
 Light Red on Black
 Medium Red on Light Green
 Dark Red on Light Green
 White on Light Blue
 Magenta on Light Yellow
 Cyan on White
 Light Red on White
 Gray on White

The MSB of byte 4 is set if you want the sprite to come in or go off smoothly on the left side of the screen. If this bit is not set, the sprite will come in or go off smoothly on the right side of the screen. The right nybble of this byte is the color nybble. A >D0 in the first byte of a 4-byte block in the Sprite Attribute Block will tell the system to disregard all following data in the Sprite Attribute Block. The >D0 indicates to the system that the preceding 4-byte block is the last sprite to be displayed on the screen.

• Sprite Descriptor Block (SDB) ($32 \times 32 = 1024$ bytes if no sprite motion is used; $32 \times 28 = 896$ bytes if sprite motion is used since the Sprite Velocity Block begins at >780). The SDB is similar to the Pattern Generator Set area, each block of 8 bytes describes an 8 x 8 pixelated Sprite; alternately, each block of 32 bytes may describe a 16 x 16 pixel Sprite (when the size bit is set to a 1 in the VDP Command Register 1). When the size bit is set and 4 characters (32 bytes) are used to make the sprite, the first 8 bytes are the upper left character, the next 8 bytes are the lower left character, the next 8 bytes are the upper right character and the last 8 bytes are the lower right character. For example, if the bytes in a 32-byte Sprite Descriptor Block area are numbered 0 through

31, this is how the characters would be displayed in a sprite:

| | |
|------------|-------------|
| bytes 0-7 | bytes 16-23 |
| bytes 8-15 | bytes 24-31 |

When the magnification bit in the VDP Command Register (1) is set, all sprites double their size, but keep the same pixel dimensions (8x8 or 16x16). Each pixel doubles its size. This expansion of size is to the right and down. Therefore, an unmagnified sprite on the screen will keep the same upper left corner position when the magnification bit is set.

• Sprite Velocity Block (SVB) (4*32 = 128 bytes)-Each 4-byte entry in this block assigns motion to the corresponding 4-byte entry in the Sprite Attribute Block:

byte 1- y-velocity of Sprite (positive number means down, negative number means up)

byte 2- x-velocity of Sprite (positive number means right, negative number means left)

bytes 3 and 4- reserved for system use
(must be initialized to zero).

A velocity can range from 0 to >7F in the positive direction and from >FF to >80 in the negative direction. See Appendix B for more information on Automatic Sprite Motion.

2.1.3 VDP TEXT MODE AND MULTICOLOR MODE

The VDP Text Mode and Multicolor Mode as described in the VDP Specification are supported to the extent described in Appendix G. The programmer may use Text, Multicolor and normal mode in the same program if he chooses. The programmer should be aware, however, that a new mapping of VDP RAM into a screen image is created for each mode.

2.2 SYSTEM MEMORY ORGANIZATION

There are three segments of memory associated with the basic system:

- CPU RAM: 256 bytes of high speed Read/Write random access memory (Figure 2.2, page 2-10, 2-11). To access CPU RAM in Assembly Language, a bias of 8300 is added to the address.
- VDP RAM: 4K, 8K or 16K of Read/Write random access memory (Figure 2.3, page 2-12); as discussed earlier, this memory is segmented into subblocks whose data map into a screen image; whatever memory is left over is available for GPL programming use.
- GROM: Increments of 6K bytes located at 8K-byte boundaries; this is special, medium speed, ROM; it typically contains GPL programs and data.

Certain areas of the three segments are dedicated for special use by the VDP hardware or the interpreter software. See Figure 2.2 (page 2-10, 2-11) for CPU RAM segments dedicated to the interpreter. See Figure 2.3 (page 2-12) for VDP RAM dedicated for use by the VDP chip (note the base addresses of the sub-blocks assume that the recommended values are loaded in the VDP Registers). Also shown in Figure 2.3 (page 2-12) is a sub-block that is used by the Interpreter software for auto-motion of sprites. If auto-motion is not to be used in a GPL program, this memory space is freed up for other use. See Appendix B for details on Auto-Sprite motion. GROMs have a format protocol which they must adhere to in order to maintain system compatibility. See the System Monitor Specification for details.

FIGURE 2.2

DECIMAL HEX CPU RAM MEMORY MAP

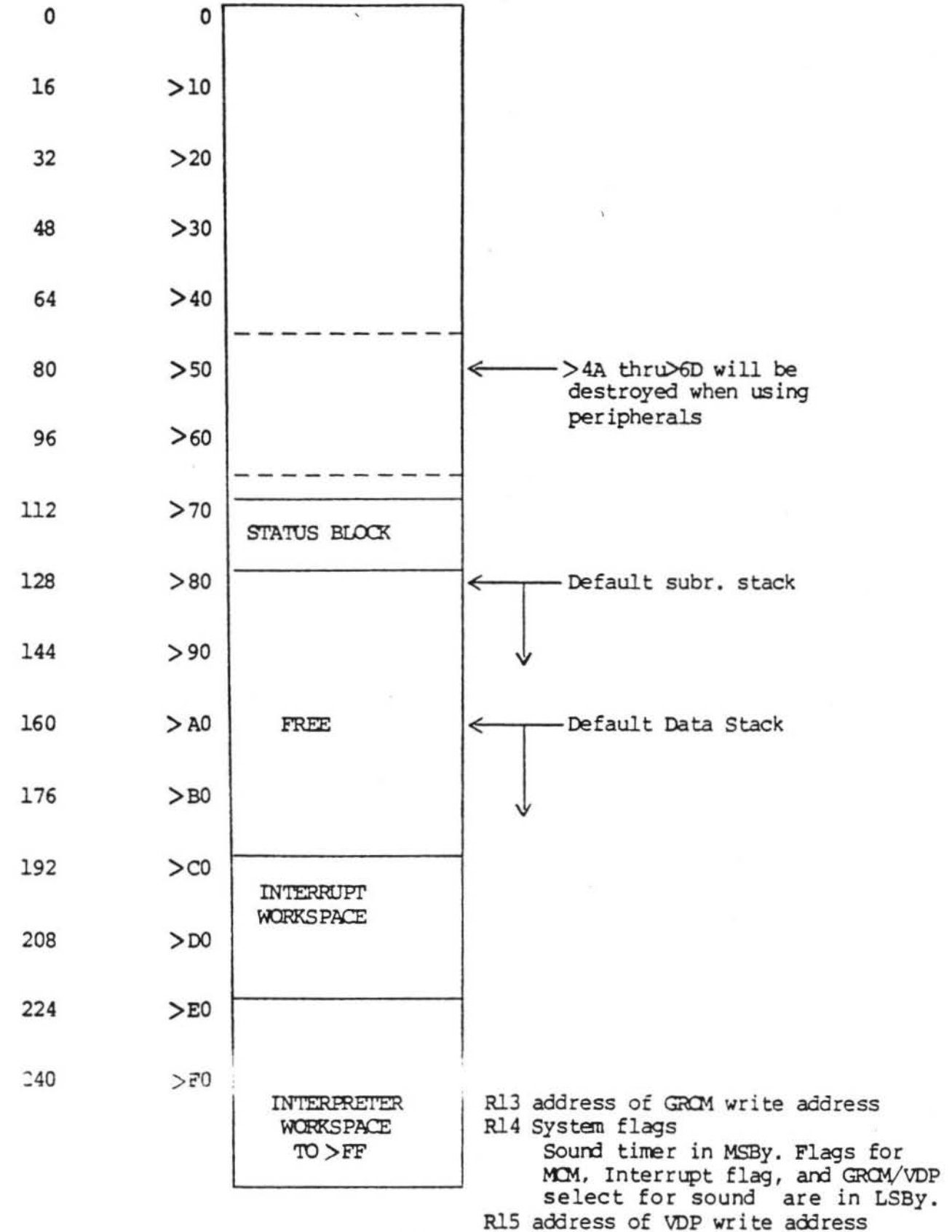


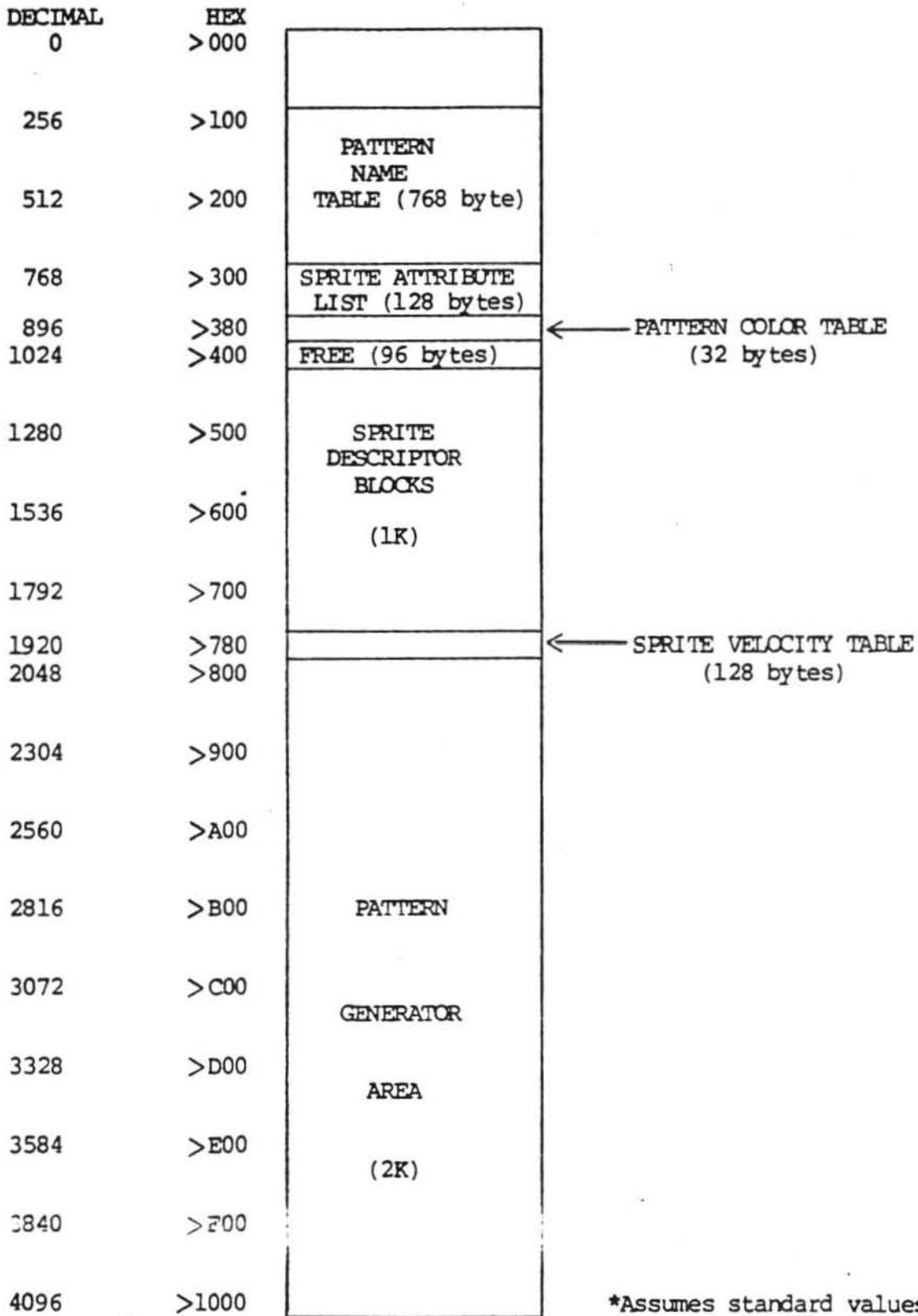
FIGURE 2.2 (Cont.)

INTERRUPT WORKSPACE

- >C0: Random Seed
- >C2- C9: Remote handset debounce
- >CA: Console Keyboard debounce
- >CC: Sound list pointer
- >CE: Number of sound bytes
- >D0: Search pointers for
- >D2: GROM and ROM searches
- >D4: One byte - stores last VDP (1)
- >D6: Screen timeout counter
- >D8: Save return address for scan
routine
- >DA: Save player number in scan
routine

R13..R15: Return linkage for interrupts

FIGURE 2.3
VDP RAM MEMORY MAP *



*Assumes standard values in VDP registers.

3.0 GPL INSTRUCTIONS

The Graphics Programming Language is similar to an Assembly Language in many respects. Commands are followed by operands which specify addresses and immediate values. The completed program is run through an assembler which generates, for each instruction, the opcode followed by an encoding of the operands. Many instructions can operate on single or double byte values. In the instruction descriptions of Section 4, this is indicated by a "D" prefix on the mnemonic; for example, the single-byte to single-byte "add" instruction is an ADD, while the double-to-double-byte add is a DADD.

The extent of graphics support is through the following:

- Almost all instructions can modify locations in VDP RAM easily; this can cause a change in the screen image;
- Locations in the Pattern Name Table can be addressed by specifying an X pointer and a Y pointer;
- Special instructions allow the reading and writing of large blocks of VDP RAM quickly;
- Automatic motion of Sprites can be initiated; after enabling auto-motion with a GPL instruction, motion of sprites is automatically controlled until stopped by another GPL command.

GPL instructions fall into several classes:

- Data Transfer
- Arithmetic
- Logical
- Condition Tests

- Branching
- Bit Manipulation
- Subroutining
- Stack Operations
- Miscellaneous

3.1 ADDRESSING MEMORY

The addressing modes of most instructions allow operands to reside anywhere in VDP RAM or CPU RAM. This is called "Global Addressing". Each address above CPU location >7F requires two bytes to specify its address.

The next section is a description of all GPL instructions. The mnemonics used for specifying the operand types required for a given instruction are always of the following types: GS (Global Source), GD (Global Destination), IMM (immediate value), LABEL (GPL label). These are each described more fully below.

- 3.1.1.IMM

An immediate field can be a numeric constant in decimal, hexadecimal or binary format. Depending upon the context, values can be single or double byte values. In DATA statements double-byte values must be preceded by a pound sign (#). The # sign is optional for double-byte values in branches, move statements, and double instructions.

A symbol can be used in an IMM field if it is equated to an immediate value using the assembler EQU directive

(commonly used locations in CPU RAM and VDP RAM are often assigned symbolic equates to improve program clarity). If it is a label in the GPL program, it is a double-byte value unless used in a single byte operation. In this case the least significant byte is used.

To illustrate the possibilities:

```
FIVE EQU 5      (now the symbol FIVE can be used
                 wherever IMM is called for;)
51              ..decimal 51;
>33 or 033     ..hexadecimal 33;
&110011       ..binary 110011;
```

```
#LOOP          ..(if LOOP is a label in the GPL program)
```

The ASCII equivalent of characters can also be used for IMM fields. The character(s) should be enclosed between colons; e.g.

```
:A:           is equivalent to >41
:2A:          is equivalent to >3241
```

The FMT instruction, to be discussed later, as well as the assembler directive DATA (in Appendix A) can use IMM fields of arbitrary length (e.g., :ABCD1234:). Instructions that require double-byte IMM operands begin with a "D" (e.g., DADD = Double Add) as opposed to instructions that do not (e.g., ADD = Add). The instructions D or DIV, DEC, and DECT require single-byte IMM operands; while DD or DDIV, DDEC, and DDECT require double-byte IMM operands.

● 3.1.2 GS (GLOBAL SOURCE)

Unless otherwise specified for a given instruction, a Global Source operand can be an immediate value (i.e. anything that fulfills requirements for IMM), or an address with any combination of the following features in effect:

- 1) Select CPU RAM or VDP RAM (select ROM in a MOVE statement only);
- 2) Select direct or indirect addressing;
- 3) Select indexing or not.

There are two special mnemonics that can be used wherever GS is called for: POP and TOP. POP pops the top value off the data stack and uses this data as an operand. TOP uses the data pointed to by the data stack pointer, but it does not actually pop the data off the stack. POP and TOP should not be used in double-byte instructions. An example of the use of POP and TOP is:

```
ADD POP, TOP
```

This instruction is equivalent to the sequence:

```
ST *DATSTK, @TEMP  
DEC @DATSTK  
ADD @TEMP, *DATSTK
```

The next section discusses the Data Stack more fully.

● 3.1.3 GD (GLOBAL DESTINATION)

Global Destination is exactly the same as Global Source except that immediate values are not allowed.

● 3.1.4 LABEL

A LABEL field refers to a symbol which has been used in front of a GPL instruction, or a symbol that has been equated (using EQU) to an IMM. A LABEL always generates a 2-byte immediate value (16 bits). LABEL fields are called for in Branch instructions and Subroutine call instructions. A long branch (B) instruction, a CALL subroutine instruction, and a GS or GD of ROM (#LABEL) in a MOVE statement may use labels contained anywhere in the program, but short branch instructions (BR, BS, or \$IF-GOTO) must use labels contained in the same 6K GROM segment as the instruction. A special LABEL, "\$", is used to represent the current location; (e.g. "B \$" will cause the GPL program to loop forever).

LABELs can have, in addition to the symbol, an expression of the form (symbol)+IMM or (symbol)-IMM; for example,

```
BR    #LAB1+3  
or:   BR    LAB3-1
```

● 3.1.5 ADDRESSING MODES

Table 3.1 (page 3-7) shows the formats for the various mode combinations with an example. IMM specifies a numeric constant. If an "at sign" (@) precedes an IMM value, it specifies the contents stored at location IMM in CPU RAM.

If a star (*) precedes an IMM value, it specifies indirect addressing through location IMM in CPU RAM. For example,

```
A EQU >02
B EQU >04
ST >60, @A
ST *A, @B
```

will take the data stored in CPU location >60 and store it in CPU location >04.

A double byte value in CPU RAM can be used as an index to a specified location. For example,

```
A EQU >02
B EQU >04
INDEX EQU >06
DST >000A, @INDEX
ST @A(INDEX), @B
```

will store the contents of CPU location >0C in CPU >04.

You would obtain the same results with:

```
ST @A(>06), @B
```

Notice that indexing takes the double-byte contents located at the CPU RAM address in parentheses and adds that parentheses and adds the double-byte value stored in value to the CPU RAM address in front of the parentheses. You do not use the @ sign with the index variable. In the case of VDP RAM indexing, the inner parentheses contain the index value.

TABLE 3.1
SYNTAX FOR GS, GD

| SYNTAX | MEANING | EXAMPLE |
|--|---|--|
| IMM | Immediate value for GS only # indicates 2 bytes immediate value | # LAB1, 21 |
| C P @ IMM1 U * IMM1 @ IMM1(IMM2) R *IMM1(IMM2) A CB, XPT, YPT M | Direct to CPU RAM Indirect to and thru CPU RAM Direct indexed by and to CPU RAM, Indirect indexed by, thru & to CPU RAM Direct to CPU RAM at >7D, >7E, >7F respectively | @LOC, @ 30 *LOC, * 31 @LOC1(LOC2) LOC1(LOC2) XPT, CB, YPT |
| V RAM(IMM3) D RAM@IMM1 P RAM(IMM3(IMM2)) RAM)@IMM1(IMM2) R A DISPLAY(X=IMM, M Y=IMM CHAR(IMM) TABLE(IMM) SPRITE(IMM) FIGURE(IMM) VEL(IMM) | Direct to VDP RAM Indirect to VRAM thru CPU RAM Direct VRAM indexed by CPU RAM Indirect to VRAM thru & indexed by CPU RAM Pattern name table * Pattern generator IMM = 00 to FF Pattern color table IMM = 00 to 1F SPRITE attribute list IMM = 00 to 1F SPRITE descriptor block IMM = 00 to 5F SPRITE velocity table IMM = 00 to 1F | RAM(LOC1), RAM(300) RAM(@LOC1) RAM(LOC1(LOC2)) RAM(@LOC(LOC2)) All direct to VARM |
| VDP(IMM) | VDP register in VDP chip register GS in MOVE statement only IMM = 00, to 07 | VDP(7) |
| G ROM(IMM3) R ROM(@IMM2) O ROM(IMM3(IMM2)) M | GS in MOVE statement only Direct to GROM Indirect to GROM thru CPU RAM Direct to GROM indexed by CPU RAM | ROM(#DATA1) ROM(@LOC1) ROM(#DATA1(LOC1)) |

IMM1 - 1 byte CPU RAM address expandable to 65K.

2 bytes accepted but need to be one byte to address to CPU RAM.

IMM2 - 1 byte CPU RAM address. If 2 byte value is used, the first byte is ignored.

IMM3 - 2 bytes VRAM or GROM ADDRESS.

* - Assumes recommended base address

EXPLANATIONS FOR THE EXAMPLES

@LOC1 (LOC2) 2 byte content at LOC2 in CPU RAM will be added to LOC1 and then addressed to CPU RAM.

*LOC1 (LOC2) 2 byte content at LOC2 in CPU RAM will be added to LOC1 and addressed thru that address in CPU RAM to CPU RAM.

RAM (LOC1(LOC2)) 2 byte content at LOC2 in CPU RAM will be added to 2 byte VDP RAM address LOC1 and then addressed to VDP RAM.

RAM (@LOC1(LOC2)) 2 byte content at LOC2 in CPU RAM will be added to the content of CPU RAM at LOC1 and then addressed to CPU RAM to obtain 2 byte VDP RAM address.

ROM (LOC1(LOC2)) 2 byte content of LOC2 at CPU RAM will be added to 2 byte GROM address LOC1 then addressed to GROM.

3.2 FORMAT TYPES

In the next section you will see that instructions get assembled into several different variations of formats. Each instruction has a "format type" number. Table 3.2 (page 3-9) shows all the possible formats, listed by format type. Also shown is the op-code range for each of the format types. The X's in the formats represent bits that may be turned on or off according to the opcode for the instruction. Each letter in the format other than X is described on page 3-10 along with the five forms of GS and GD.

TABLE 3.2

| FORMAT TYPE | FORMAT | OP CODES | | | | | | | | | | | | | | | | | | | | | | | | | | | | | | | | |
|-----------------|---|----------|---------|---|---------|---|---|---|---|-----------------|--|--|--|--|--|--|--|----------------|--|--|--|--|--|--|--|----------------------|--|--|--|--|--|--|--|--------|
| 1 | bit # 7 6 5 4 3 2 1 0 <table border="1"> <tr> <td>1</td><td>X</td><td>X</td><td>X</td><td>X</td><td>X</td><td>S</td><td>D</td> </tr> <tr> <td colspan="8">GD</td> </tr> <tr> <td colspan="8">GS</td> </tr> </table> | 1 | X | X | X | X | X | S | D | GD | | | | | | | | GS | | | | | | | | AX, BX, CX DX, EX | | | | | | | | |
| 1 | X | X | X | X | X | S | D | | | | | | | | | | | | | | | | | | | | | | | | | | | |
| GD | | | | | | | | | | | | | | | | | | | | | | | | | | | | | | | | | | |
| GS | | | | | | | | | | | | | | | | | | | | | | | | | | | | | | | | | | |
| 2 | bit # 7 6 5 4 3 2 1 0 <table border="1"> <tr> <td>0</td><td>0</td><td>0</td><td>X</td><td>X</td><td>X</td><td>X</td><td>X</td> </tr> <tr> <td colspan="8">IMM (1 BYTE)</td> </tr> </table> | 0 | 0 | 0 | X | X | X | X | X | IMM (1 BYTE) | | | | | | | | OX, LX | | | | | | | | | | | | | | | | |
| 0 | 0 | 0 | X | X | X | X | X | | | | | | | | | | | | | | | | | | | | | | | | | | | |
| IMM (1 BYTE) | | | | | | | | | | | | | | | | | | | | | | | | | | | | | | | | | | |
| 3 | bit # 7 6 5 4 3 2 1 0 <table border="1"> <tr> <td>0</td><td>0</td><td>0</td><td>X</td><td>X</td><td>X</td><td>X</td><td>X</td> </tr> <tr> <td colspan="8">LABEL (2 BYTES)</td> </tr> </table> | 0 | 0 | 0 | X | X | X | X | X | LABEL (2 BYTES) | | | | | | | | OX, LX | | | | | | | | | | | | | | | | |
| 0 | 0 | 0 | X | X | X | X | X | | | | | | | | | | | | | | | | | | | | | | | | | | | |
| LABEL (2 BYTES) | | | | | | | | | | | | | | | | | | | | | | | | | | | | | | | | | | |
| 4 | bit # 7 6 5 4 3 2 1 0 <table border="1"> <tr> <td>0</td><td>1</td><td>X</td><td>ADDRESS</td><td></td><td></td><td></td><td></td> </tr> <tr> <td colspan="8">ADDRESS, CONT'D</td> </tr> </table> | 0 | 1 | X | ADDRESS | | | | | ADDRESS, CONT'D | | | | | | | | 4X, 5X, 6X, 7X | | | | | | | | | | | | | | | | |
| 0 | 1 | X | ADDRESS | | | | | | | | | | | | | | | | | | | | | | | | | | | | | | | |
| ADDRESS, CONT'D | | | | | | | | | | | | | | | | | | | | | | | | | | | | | | | | | | |
| 5 | bit # 7 6 5 4 3 2 1 0 <table border="1"> <tr> <td>0</td><td>0</td><td>0</td><td>X</td><td>X</td><td>X</td><td>X</td><td>X</td> </tr> </table> | 0 | 0 | 0 | X | X | X | X | X | OX, LX | | | | | | | | | | | | | | | | | | | | | | | | |
| 0 | 0 | 0 | X | X | X | X | X | | | | | | | | | | | | | | | | | | | | | | | | | | | |
| 6 | bit # 7 6 5 4 3 2 1 0 <table border="1"> <tr> <td>1</td><td>0</td><td>0</td><td>X</td><td>X</td><td>X</td><td>X</td><td>D</td> </tr> <tr> <td colspan="8">GS</td> </tr> </table> | 1 | 0 | 0 | X | X | X | X | D | GS | | | | | | | | 8X, 9X | | | | | | | | | | | | | | | | |
| 1 | 0 | 0 | X | X | X | X | D | | | | | | | | | | | | | | | | | | | | | | | | | | | |
| GS | | | | | | | | | | | | | | | | | | | | | | | | | | | | | | | | | | |
| 7 | bit # 7 6 5 4 3 2 1 0 <table border="1"> <tr> <td>0</td><td>0</td><td>0</td><td>0</td><td>1</td><td>0</td><td>0</td><td>0</td> </tr> <tr> <td colspan="8">FORMAT CODES</td> </tr> </table> | 0 | 0 | 0 | 0 | 1 | 0 | 0 | 0 | FORMAT CODES | | | | | | | | 08 | | | | | | | | | | | | | | | | |
| 0 | 0 | 0 | 0 | 1 | 0 | 0 | 0 | | | | | | | | | | | | | | | | | | | | | | | | | | | |
| FORMAT CODES | | | | | | | | | | | | | | | | | | | | | | | | | | | | | | | | | | |
| 8 | bit # 7 6 5 4 3 2 1 0 <table border="1"> <tr> <td>1</td><td>1</td><td>1</td><td>1</td><td>0</td><td>1</td><td>1</td><td>0</td> </tr> <tr> <td colspan="8">GS</td> </tr> <tr> <td colspan="8">IMM (1 BYTE)</td> </tr> </table> | 1 | 1 | 1 | 1 | 0 | 1 | 1 | 0 | GS | | | | | | | | IMM (1 BYTE) | | | | | | | | F6 | | | | | | | | |
| 1 | 1 | 1 | 1 | 0 | 1 | 1 | 0 | | | | | | | | | | | | | | | | | | | | | | | | | | | |
| GS | | | | | | | | | | | | | | | | | | | | | | | | | | | | | | | | | | |
| IMM (1 BYTE) | | | | | | | | | | | | | | | | | | | | | | | | | | | | | | | | | | |
| 9 | bit # 7 6 5 4 3 2 1 0 <table border="1"> <tr> <td>0</td><td>0</td><td>1</td><td>R</td><td>V</td><td>C</td><td>I</td><td>N</td> </tr> <tr> <td colspan="8">LENGTH</td> </tr> <tr> <td colspan="8">GD</td> </tr> <tr> <td colspan="8">GS</td> </tr> </table> | 0 | 0 | 1 | R | V | C | I | N | LENGTH | | | | | | | | GD | | | | | | | | GS | | | | | | | | 2X, 3X |
| 0 | 0 | 1 | R | V | C | I | N | | | | | | | | | | | | | | | | | | | | | | | | | | | |
| LENGTH | | | | | | | | | | | | | | | | | | | | | | | | | | | | | | | | | | |
| GD | | | | | | | | | | | | | | | | | | | | | | | | | | | | | | | | | | |
| GS | | | | | | | | | | | | | | | | | | | | | | | | | | | | | | | | | | |

TABLE 3.2
(Cont.)

D = \Rightarrow 0 = SINGLE BYTE OPERATION
1 = DOUBLE BYTE OPERATION

S = \Rightarrow 0 = GS IS NOT IMMEDIATE
1 = GS IS IMMEDIATE (1 OR 2 BYTES DEPENDING ON D)

0 0 1 R V C I N

R = \Rightarrow 0 = GD IS ROM
1 = GD IS NOT ROM

V = \Rightarrow 0 = GD IS NOT A VDP REGISTER
1 = GD IS A VDP REGISTER

C = \Rightarrow 0 = GS IS NOT RAM
1 = GS IS RAM

I = \Rightarrow 0 = GS IS NOT ROM ADDRESSED BY CPU
1 = GS IS ROM INDEXED OR ADDRESSED BY A VARIABLE IN CPU RAM

N = 0 = NUMBER OF BYTES MOVED IS NOT IMMEDIATE VALUE
1 = NUMBER OF BYTES MOVED IS IMMEDIATE VALUE

GS, GD HAVE 5 FORMS:

I

| |
|-------------|
| 0 ADDRESSES |
|-------------|

 = DIRECT ADDRESSING TO FIRST 128 BYTES OF CPU RAM;

II

| |
|--|
| 1 0 V I ADDRESS ADDRESS (CONT'D) INDEX |
|--|

 ; V=1 SELECTS VDP RAM; 0=CPU RAM
I=1 SELECTS INDIRECT; 0=DIRECT

III

| |
|-------------------------------------|
| 1 1 V I ADDRESS ADDRESS (CONT'D) |
|-------------------------------------|

 LIKE ABOVE, EXCEPT AN INDEX VALUE IS ADDED TO THE ADDRESS IN CPU RAM

IV

| |
|------------------------------------|
| 1 0 V I 1111 ADDRESS ADDRESS |
|------------------------------------|

 LIKE II WITH EXTENDED RANGE 0-65K

V

| |
|---|
| 1 1 V I 1111 ADDRESS ADDRESS INDEX |
|---|

 LIKE ABOVE III EXTENDED ADDRESS AND INDEXED

3.3 RUNNING GPL PROGRAMS

The system Monitor performs the startup of a GPL program. See the Monitor Specification for details on power-up and restart sequences. It will suffice here to know the state of all RAM and Register locations upon beginning program execution.

- A >60 is written to the VDP Command Register, which makes the Start bit a 1; this turns the TV screen to the background color.
- A default character set has been loaded into Pattern Generator Sets 4 thru 11, corresponding to ASCII symbols >20 thru $>5F$; see Table 3.3. The Pattern Color Table is initialized and all other locations are zero.
- Several locations in the "Status Block" in the CPU RAM have been initialized to pre-defined values; these locations are explained in Appendix H under System Initialization.

The programmer has the responsibility of initializing the values of the VDP Registers if default values are not to be used. The values in Table 3.4 are the default values. For a system without RAM expansion, these VDP block bases are suggested.

TABLE 3.3
DEFAULT CHARACTER SET

PATTERN #

| | | | | | | | |
|-----|-------|-----|---|-----|---|-----|---|
| >20 | BLANK | >30 | 0 | >40 | @ | >50 | P |
| | ! | | 1 | | A | | G |
| | " | | 2 | | B | | R |
| | # | | 3 | | C | | S |
| >24 | \$ | >34 | 4 | >44 | D | >54 | T |
| | % | | 5 | | E | | U |
| | & | | 6 | | F | | V |
| | ' | | 7 | | G | | W |
| >28 | (| >38 | 8 | >48 | H | >58 | X |
| |) | | 9 | | I | | Y |
| | * | | : | | J | | Z |
| | + | | ; | | K | | [|
| >2C | , | >3C | < | >4C | L | >5C | \ |
| | - | | = | | M | |] |
| | . | | > | | N | | ^ |
| | / | | ? | | O | | _ |

VDP(1) is the command register. Bit 7 is set if there is a 16K chip in the system. This bit should always be reset by the programmer. The interpreter will set the bit if there is 16K. Bit 6 turns the screen on when set. Bit 5 is the interrupt enable bit. The Bit 4 tells the VDP to use text mode when it is set and Bit 3 tells the VDP multicolor mode when it is set. Bits 3 and 4 may not be set at the same time. Bits 1 and 0 tell the system double-size and magnified sprites, respectively, when set. Bit 2 must always be reset.

The value in VDP(2) can range from 0 to 15. The Pattern Name Table will begin at location $VDP(2) * 1024$.

The value in VDP(3) can range from 0 to >FF. The Pattern Color Table will begin at location $VDP(3) * 64$.

The value in VDP(4) can range from 0 - 7. The Pattern Generator Table will begin at location $VDP(4) * >800$.

The value in VDP(5) can range from 0 - >7F. The Sprite Attribute List will begin at location $VDP(5) * 128$.

The value in VDP(6) can range from 0 - 7. The Sprite Descriptor Block will begin at location $(VDP(6) * >800) + >400$.

The value in VDP(7) contains the only way of giving foreground and background colors to Text mode. The most significant nybble is the foreground color, and the least significant nybble is the background color and also the border color in any mode.

The value of VDP(1) will probably be the register most often changed in a program. Table 3.4.A (page 3-15) lists some of the most common values used in this command register and what they represent.

TABLE 3.4
VDP REGISTERS

| REGISTER NUMBER | FORMAT | | | | | | | | MEANING | RECOMMENDED VALUE | |
|-----------------|--------------------------|----|------------|-----|----------------|---|---|------|---------------------------------------|--|--|
| | 7 | 6 | 5 | 4 | 3 | 2 | 1 | 0 | | | |
| 1 | 4K 16K | ST | INT ENB | TXT | MCM | X | | SIZE | MAG | Command Reg. bits turn on/off 4K or 16K, screen on/off, interrupt text mode, MC mode Sprite size & mag | >60-sets VDP for 4K memory, turns screen on, enables VDP interrupt, puts VDP in normal pattern mode with size 0, mag 0 sprites |
| 2 | X | | | | X | | | | PNT BASE | Multiple of 256 to start PNT at | 0-puts Pattern Name Table at <u>0</u> . |
| 3 | PATTERN COLOR TABLE BASE | | | | | | | | Multiple of 64 to to start col. table | >0E-puts color table at <u>380</u> | |
| 4 | X | | | | X | | | | PAT GEN BASE | Multiple of >800 to start pat. gen. | >1-puts pattern generator area at <u>>800</u> |
| 5 | X | | | | X | | | | SPRITE ATTRIB. LIST BASE | Multiple of 128 to start SAL, | >06-puts Sprite Attribute List at <u>>300</u> |
| 6 | X | | | | X | | | | SDB BASE | Multiple of >800 then add >400 to start SDB | 0-puts Sprite Descriptor Blocks at <u>>400</u> |
| 7 | TEXT COLOR | | | | BACKDROP COLOR | | | | Colors for text mode, backdrop color | >F7-make text color white, backdrop cyan | |

TABLE 3.4.A

COMMAND REGISTER VALUES

| <u>VALUE</u> | <u>MEANING</u> |
|--------------|---|
| >61 | 4K memory, screen on, interrupt on, single-sized magnified sprites. |
| >62 | 4K memory, screen on, interrupt on, double-sized <u>unmagnified</u> sprites |
| >63 | 4K memory, screen on, interrupt on, double-sized magnified sprites. |
| >20 | 4K memory screen off (viewer sees a blank screen the color of the border). |
| >70 | 4K memory, screen on, interrupt on, text mode (40 x 24 character screen) |
| >68 | 4K memory, screen on, interrupt on, multicolor mode, single sized <u>unmagnified</u> sprites. |
| >69 | 4K memory, screen on, interrupt on, multicolor mode, single-sized magnified sprites. |
| >6A | 4K memory, screen on, interrupt on, multicolor mode, double-sized <u>unmagnified</u> sprites. |
| >6B | 4K memory, screen on, interrupt on, multicolor mode, double-sized magnified sprites. |

The actual mechanics of writing and running a GPL program are described in Appendix A. This describes the format of instructions that the GPL assembler will accept.

The interpreter and the GPL program communicate with each other through a dedicated location in CPU RAM, called the Status Block. Table 3.5 (page 3-20) shows the fixed locations of each Status Block variable.

3.3.1 THE STATUS BLOCK

If any of the bytes in the Status Block are to be accessed from a GPL program, it is recommended that the symbols in Table 3.5 (page 3-20) be equated to the proper values as shown at the beginning of the GPL program. The symbol can then be used as an instruction operand.

The following is a discussion of each of the Status Block bytes:

- MAXMEM - Highest available VDP memory address. For a 4K system this would be >0FFF.
- DATSTK- Stack pointer for data; initialized to >9F by the Monitor, the pointer always points to the last value pushed on the data stack. The data stack is a pre-incremented, byte-oriented stack, and grows to increasing values in CPU RAM. If the user wishes, he can change the location of the stack by doing an ST into DATSTK (e.g. ST >92,@DATSTK). PUSH and POP affect the pointer value, as well as the operand POP.

- SUBSTK- Stack pointer for subroutine return addresses; initialized to >7E by the Monitor, the pointer always points to the last address pushed onto the stack. Addresses are automatically pushed onto the stack by the CALL instruction, and popped off by the RTN and RTNC instructions. As with DATSTK, the user can change the default address of the stack. The user should be careful when changing this stack pointer. SUBSTK should only be initialized with even numbers if it is changed. The MOVE and SCAN instructions use one level of subroutine stack.
- KEYBOARD, KEY,JOYY,JOYX- These locations are used for handset, joystick and keyboard interfaces. KEYBRD is the keyboard number, KEY is the returned keycode, JOYY and JOYX are the returned joystick parameters. See the SCAN instruction description for more details. Also see Appendix D. These values are initialized to 0 by the Monitor.
- RANDOM- This location is loaded with a random number when the RAND instruction is executed. It is initialized to a random number generated by the Monitor.
- TIMER- When the VDP Frame interrupt is enabled , this byte gets incremented by one every 1/60 second. By clearing it with a CLR and then using the loop

```
LOOP CEQ (delay),@TIMER
```

```
BR LOOP
```

a fixed delay in the GPL program can be implemented.

- MOTION- This location, when set to a non-zero value by the programmer, represents the number of Sprites that are included in auto-motion. For example, if it contains a two, Sprites 0 and 1 will be put into auto-motion. See Appendix B for details on Sprite auto-motion.
- VDPSTT- This location is a copy of the VDP Status register. It is updated every frame interrupt (when frame interrupts are disabled, VDPSTT is not updated).
- STATUS- This byte automatically gets loaded with bits as a result of many instructions. It contains bits representing equality, arithmetic greater than, logical greater than, carry and overflow. See Section 3.4 for details.
- CB, YPT, XPT- These bytes, in conjunction with one another, provide a method for writing information out to the VDP Pattern Name Table. When the CB location is used as a source operand in an instruction, it is first loaded with the value of the Pattern Name Table specified by XPT and YPT. This assumes that the Pattern Name Table base address is 0 and the absolute VDP RAM address is calculated by $32*YPT+XPT$. This provides a convenient method for reading information off of the screen. If CB is ever found to have been modified by an instruction, the new value of CB is

written to the Pattern Name Table location specified by XPT and YPT.

Some examples:

DST #0302,YPT

ST CB,@TEMP ..causes TEMP to get loaded with the
byte from location XPT=2,YPT=3;

ST @CHR1, CB ..causes whatever is in CHR1 to be
written to the screen at the
location corresponding to the
current values of XPT and
YPT.

Multicolor mode uses YPT and XPT to do mapping automatically in range YPT = 0 to 47, XPT = 0 to 63. CB, XPT, and YPT are predefined symbols and can be used with or without @ sign in front of them.

TABLE 3.5
STATUS BLOCK

| RECOMMENDED SYMBOL | ADDRESS IN CPU RAM (>) | INITIALIZED TO BY MONITOR |
|-----------------------|-----------------------------|-------------------------------|
| MAXMEM | 70, 71 | MAXIMUM VDP MEMORY ADDRESS |
| DATSTK | 72 | > 9F |
| SUBSTK | 73 | > 7E |
| KEYBRD | 74 | 0 |
| KEY | 75 | 0 |
| JOYY | 76 | 0 |
| JOYX | 77 | 0 |
| RANDOM | 78 | 0 |
| TIMER | 79 | 0 |
| MOTION | 7A | 0 |
| VDPSTT | 7B | 0 |
| STATUS | 7C | 0 |
| CB | 7D | 0 |
| YPT | 7E | 0 |
| XPT | 7F | 0 |

3.4 THE STATUS BYTE

Two bytes in the STATUS BLOCK are used to indicate the VDP and program status. Five bits in the program status byte, called STATUS, indicate the result of operations. The format of the STATUS byte is:

| | | | | | | | | | | | | | | | | | |
|-----|---|---|---|----|---|------|---|-------|---|-----|---|---|---|---|---|---|---|
| | / | H | / | GT | / | COND | / | CARRY | / | OVF | / | 0 | / | 0 | / | 0 | / |
| bit | | 7 | | 6 | | 5 | | 4 | | 3 | | 2 | | 1 | | 0 | |

The COND bit is most important, since the BR (Branch on Reset) and BS (Branch on Set) instructions use this bit to decide whether to branch or not. Many operations affect all the bits, especially single and double operand arithmetic/logical instructions. Instructions have been provided which transfer one of the other bits into the COND bit; this makes it easy to conditionally branch based on the results of an operation (See instructions H, GT, CARRY, OVF). For example, to branch to the LABEL "BR1" if the CARRY bit or the OVF bit is set, the following sequence can be used:

```
CARRY
BS #BR1
or $IF .CARRY. GOTO BR1

OVF
BS #BR1
or $IF .OVF. GOTO BR1
```

In the instruction descriptions in the following section, the STATUS bits affected for each instruction are shown boxed in. Other STATUS bits are not affected at all. Note that some instructions like the branches always reset the COND bit.

The format of the VDP status byte, called VDPSTT, is:

| | | | | | | | | |
|-----|---|---|---|---|---|---|---|---|
| | /FRAME INT/5th SPRITE/SPRITE COINC/FIFTH SPRITE NUMBER/ | | | | | | | |
| bit | 7 | 6 | 5 | 4 | 3 | 2 | 1 | 0 |

The MSB is a frame interrupt bit. Bit 6 is the fifth sprite bit and is set any time there are five sprites on a line. Bit 5 is a sprite coincidence flag and is set any time there is sprite coincidence. The last five bits are used for the number of the fifth sprite on a line.

4.0 INSTRUCTION DESCRIPTIONS

The following pages are a description of each Graphics Language instruction.

All instruction descriptions tell how the status byte is affected and give execution results. The symbol := represents "takes the value of." Parentheses mean "contents of", e.g. "Compare (A) to 48" means "Compare the contents of variable A to 48".

4.1 COMPARE AND TEST INSTRUCTIONS

H

4.1.1 TEST LOGICAL HIGH BIT

Syntax definition: H

Example: LAB1 H TEST THE LOGICAL HIGH BIT

Definition: Set/reset condition bit to the logical high status bit value

Status bits affected: / H / GT / cond / carry / OVF /

Execution results: COND := H

Application notes: Use the H instruction to detect whether the logical high status bit was set as a result of the previous instruction as a prelude to a conditional branch (BR or BS)

For example:

```
    H
    BS LAB1
    or $IF .H. GOTO LAB1
causes a Branch to LABEL "LAB1" if the
logical high bit has been set.
```

Op Code: >09

Format Type: 5

4.1.2 TEST ARITHMETIC GREATER THAN BIT

GT

Syntax definition: GT

Example: LAB1 GT TEST THE ARITHMETIC GT BIT.

Definition: Set/reset condition bit to the arithmetic greater than status bit value.

Status bits affected: / H / GT / cond / carry / OVF /

Execution results: COND := GT

Application notes: Use the GT instruction to detect whether the Arithmetic greater than status bit was set as a result of the previous instruction as a prelude to a conditional branch (BR or BS)

Op Code: >0A

Format type: 5

4.1.3 TEST CARRY BIT

CARRY

Syntax definition: CARRY

Example: LAB1 CARRY TEST THE CARRY BIT

Definition: Set/reset condition bit to the carry status bit value

Status bits affected: / H / GT / cond / carry / OVF /

Execution results: COND := CARRY

Application notes: Use the CARRY instruction to detect whether there was a carry out of the most significant bit of a byte or word as a result of the previous instruction as a prelude to a conditional branch (BR or BS)

Op Code: >0C

Format type 05

4.1.4 TEST OVERFLOW BIT

OVF

Syntax definition: OVF

Example: LAB1 OVF TEST THE OVERFLOW BIT

Definition: Set/reset condition bit to the overflow status
 bit value.

Status bits affected: H / GT / cond / carry / OVF /

Execution results: COND := OVF

Application notes: Use the OVF instruction to detect whether
 an arithmetic overflow (the result is too
 large or too small to be correctly
 represented in two's complement representa-
 tion) has occurred as a prelude to a condi-
 tional branch (BR or BS).

Op Code: >0D

Format type: 05

4.1.5 COMPARE EQUAL

CEQ
DCEQ

Syntax definition: CEQ GS,GD
DCEQ GS,GD

Example: LAB1 CEQ 48,@A COMPARE (A) TO 48 AND
SET CONDITION BIT
ON EQUAL

OR

LAB1 \$IF @A .EQ. 48 THEN

Definition: Compare the GD to the GS and set the condition bit depending on the result.

Status bits affected: / H / GT / cond / carry / OVF/

Execution results: (GD) = (GS) ?
COND: = set, if true
COND: = reset, if false

Application Notes: Use the CEQ instruction to compare the GD to the GS and set the condition bit if they are equal. This is used as a prelude to a conditional branch (BR or BS). The effect on the status bits is as if GS is subtracted from GD and the result compared to zero.

Op Code: >D4

Format type: 1

4.1.6 COMPARE LOGICAL HIGH

CH
DCH

Syntax definition: CH GS,GD
DCH GS,GD

Example: LAB1 CH @A,@B COMPARE (B) TO (A)
or AND IF (B) IS LOGICALLY
HIGHER THAN (A) SET THE
CONDITION BIT
LAB1 \$IF @B .H. @A THEN

Definition: Compare the GD to the GS and set the condition bit
if the GD is logically higher than the GS

Status bits affected: / H / GT / cond / carry / OVF /

Execution results: COND := (GD) H (GS)

Application Notes: Use the CH instruction to do the comparison
GD.H.GS and set the condition bit if the
relation is true. Use as a prelude to a
conditional branch (BR or BS).

Op Code: >C4

Format type: 1

4.1.7 COMPARE LOGICAL HIGH OR EQUAL

CHE
DCHE

Syntax definition: CHE GS,GD
DCHE GS,GD

Example: LAB1 CHE 20,@VALUE COMPARE (VALUE) TO 20
or & SET CONDITION BIT IF
(VALUE) IS LOGICALLY
\$IF @VALUE .HE. 20 THEN HIGHER THAN OR EQUAL TO 20

Definition: Compare the GD to the GS and set the condition bit
if the GD is logically higher than or equal to
the GS

Status bit affected: / H / GT / cond / carry / OVF /

Execution Result: COND := (GD) [?]HE (GS)

Application Notes: Use the CHE instruction to do the comparison
GD.HE.GS and set the condition bit if the
relation is true. Use as a prelude to a
conditional branch (BR or BS)

Op Code: >C8

Format type: 1

4.1.8 COMPARE GREATER THAN

CGT
DCGT

Syntax definition: CGT GS,GD
DCGT GS,GD

Example: LABEL CGT @A,NEW COMPARE NEW TO (A) AND SET
CONDITION BIT IF NEW IS
GREATER THAN (A)

OR

LABEL \$IF @NEW .GT. @A THEN

Definition: Compare the GD to the GS and set the condition bit
if GD is greater than (arithmetically) the GS.

Status bits affected: / H / GT / cond / carry / OVF /

Execution results: COND := (GD) [?]GT (GS)

Application Notes: Use the CGT instruction to do the comparison
GD.GT.GS and set the condition bit if the
relation is true. Use as a prelude to a
conditional branch (BR or BS)

Op Code: >CC

Format type: 1

4.1.9 COMPARE GREATER THAN OR EQUAL

CGE
DCGE

Syntax definition: CGE GS,GD
DCGE GS,GD

Example: LAB1 CGE 82,@B COMPARE (B) TO 82 AND SET
CONDITION BIT IF (B) IS
or GREATER THAN OR EQUAL TO 82
LAB1 \$IF @B .GE. 82 THEN

Definition: Compare the GD to the GS and set the condition bit
if GD is greater than or equal to the GS

Status bits affected: / H / GT / cond / carry / OVF /

Execution results: COND := (GD) GE (GS)

Application Notes: Use the CGE instruction to do the comparison
GD GS and set the condition bit if the
relation is true as a prelude to a conditional
branch (BR or BS)

Op Code: >D0

Format type: 1

4.1.10 COMPARE LOGICAL

CLOG
DCLOG

Syntax definition: CLOG GS,GD
DCLOG GS,GD

Example: LABEL CLOG 86,@VALUE SET CONDITION IF RESULT
OF 86.AND.(VALUE)
IS ZERO

Definition: Perform the bit by bit logical AND operation between
GS and GD and set the COND bit if the result is 0.

Status bits affected: / H / GT / cond / carry / OVF /

Execution Results: COND := (GS) AND (GD) = 0[?]

Application Notes: Use the CLOG instruction to set COND
if GD and GS have no 1's in same positions.
Use as a prelude to a conditional branch (BR
or BS)

Op Code: >D8

Format type: 1

4.1.11 COMPARE ZERO

CZ
DCZ

Syntax definition: CZ GD
DCZ GD

Example: LAB1 CZ @VALUE SET CONDITION BIT IF
(VALUE) IS EQUAL TO ZERO

Definition: Compare the GD to zero and set the condition bit accordingly.

Status bit affected: / H / GT / cond / carry / OVF /

Execution Results: COND =: (GD) = 0[?]

Application Notes: Use the CZ instruction to do the comparison GD = 0 and set the condition bit if the relation is true. Use as a prelude to a conditional branch (BR or BS)

Op Code: >8E

Format type: 6

4.2.2 BRANCH ON RESET

BR

Syntax definition: BR LABEL

Example: LAB1 BR HERE BRANCH TO ADDRESS "HERE" IF
CONDITION IS RESET

Definition: Branch to address of the label operand if the
condition bit is reset. After execution the
condition bit is reset.

Status bits affected: / H / GT / $\overline{\text{cond}}$ / carry / OVF /

Execution results: IF (COND.EQ.0) THEN (PC):= LABEL

Application notes: Use the BR instruction to branch to another
portion of the program depending on whether
the condition bit is reset. For example if
the previous instruction was an ADD that
resulted in a non-zero result the instruction,

BR NONZ

would result in the program commencing
at the instruction at "NONZ" in the program.
NOTE: The LABEL must reside in the same 6K
GROM segment as the BR instruction.

Op Code: >40

Format type: 4

4.2.3 BRANCH

B

Syntax definition: B LABEL

Example: LAB1 B HERE BRANCH TO ADDRESS OF HERE

Definition: Branch absolutely to address of the label operand. This branch is unconditional. The condition bit is reset after execution.

Status bits affected: / H / GT / $\overline{\text{cond}}$ / carry / OVF /

Execution results: (PC):= LABEL

Application Notes: Use the B instruction to unconditionally transfer program control to another portion of the program. If the label HERE is at the address OB; the instruction,

B HERE

will replace the PC with the value OB. The condition bit will be reset.

NOTE: The B instruction should be used to transfer control between 6K GROM segments.

Op Code: >05

Format type: 3

4.2.4 CASE

CASE
DCASE

Syntax definition: CASE GD
DCASE GD

Example: LAB1 CASE @A GOTO NEXT INSTRUCTION FOR (A)
EQUAL TO ZERO, TWO MORE IF
(A) EQUAL TO ONE, ETC

Definition: Add two times the value of the operand to the current
GROM Program Counter. Resets condition bit in status.

Status bits affected: / H / GT / cond / carry / OVF /

Execution results: (PC) := 2 *(GD)+PC

Application Notes: The CASE instruction is typically followed by
a series of BR statements. Since the condition
bit resets after executing, the BR's are always
taken. (The BR is used because it is a two-
byte instruction while B is a 3-byte instruc-
tion). An example of use of the CASE statement
is:

```
CASE @NMBR  
BR LAB1  
BR LAB2  
BR LAB3
```

If the byte at location NMBR is a 0, branch to
LAB1, if a 1, branch to LAB2; if a 2, branch
to LAB3.

NOTE: All the labels have to reside in the
same 6K GROM segment as the (D) CASE instruc-
tion.

Op Code: > 3A

Format type: 6

4.2.5 CALL SUBROUTINE

CALL

Syntax definition: CALL LABEL

Example: LAB1 CALL HERE CALL THE SUBROUTINE STARTING AT THE ADDRESS OF THE LABEL HERE

Definition: Replace the PC with the address of the LABEL. Place the old PC at the top of the call stack (pointer at CPU RAM >73). Reset condition bit.

Status bits affected: H / GT / cond / carry / OVF /

Execution results: (SBRSTK):=(SBRSTK)+2
((SBRSTK)):= (PC)
(PC):=LABEL

Application Notes: Use the CALL instruction to enter a subroutine.

Op Code: >06

Format type: 3

The following table may be used as a reference for determining when it is more economical to use a subroutine:

| Instruction Set Length (m) in bytes | Minimum Number of Times Instruction Set is Used | Bytes Saved n = Times Used |
|--|--|-------------------------------|
| 3 or less | - | - |
| 4 | 6 | n - 5 |
| 5 | 4 | 2n - 6 |
| 6 | 3 | 3n - 7 |
| 7 | 3 | 4n - 8 |
| 8+ | 2 | (m-3)n - (m+1) |

4.2.6 FETCH

FETCH

Syntax: FETCH GD

Example: LAB1 FETCH @VAL1 FETCH 1ST PARAMETER

Definition: Retrieves a byte of data pointed to by the return address on the subroutine stack and increments this return address by 1.

Status bits affected: / H / GT / cond / carry / OVF /

Execution results: (GD) := (((SBRSTK)))
 ((SBRSTK)):=((SBRSTK))+1

Applications Note: Use the FETCH instruction to pass parameters in line to a subroutine . For example in this sequence,

```
                  CALL   SUB  
                  DATA 1,24  
                  .  
                  .  
                  .  
                  SUB    FETCH   @ARG1  
                          FETCH   @ARG2
```

The FETCH statement at SUB will place a 1 in location ARG1. The next instruction will place a 24 in location ARG2. Upon returning from the subroutine, execution commences at instruction after the 24. The FETCH instruction uses two bytes of the subroutine stack. The FETCH instruction can only use CPU RAM as GD.

Op Code: >88

Format type: 6

4.2.7 RETURN FROM SUBROUTINE

RTN

Syntax definition: RTN

Example: LAB1 RTN RETURN WITH 0 TO CONDITION

Definition: Replaces PC with the value at the top of the sub-routine stack (pointer at >73 in CPU RAM). Resets the condition bit.

Status bits affected: / H / GT / cond / carry / OVF /

Execution results: (PC):= ((SBRSTK))
(SBRSTK):=(SBRSTK)-2
COND:=reset

Applications Notes: RTN is used to return from a subroutine call when you don't care about saving the condition bit value. By changing the value of the top of the subroutine call stack (pointed to by CPU RAM location >73), the return address may be modified.

Op Code: >00

Format type: 5

4.2.8 RETURN FROM SUBROUTINE (SAVE CONDITION)

RTNC

Syntax definition: RTNC

Example: LAB1 RTNC RETURN WITH NO EFFECT ON STATUS

Definition: Replaces PC with the value at the top of the
subroutine stack (pointer at >73 in CPU RAM).
Does not affect status.

Status bits affected: / H / GT / cond / carry / OVF /

Execution results: (PC):= ((SBRSTK))
(SBRSTK):=(SBRSTK)-2

Applications Notes: see RTN

Op Code: >01

Format type: 5

4.3 BIT MANIPULATION INSTRUCTIONS

Individual bits of memory may be set, reset, or tested using bit operations. The memory bits are numbered 76543210, with 0 being the least significant and 7 the most significant bit. The immediate operand that specifies bit number is truncated to 3 bits. The status byte is modified by these instructions.

These instructions are macro-instructions which the assembler converts into equivalent GPL instructions.

4.3.1 RB GD,IMM := AND IMM₁,GD

Reset the bit in memory identified by the two operands. The COND bit is set if the resulting destination byte is zero and reset otherwise. Note that an AND instruction is generated by the assembler.

4.3.2 SB GD,IMM := OR IMM₁,GD

Set the bit in memory identified by the two operands. The COND bit is always reset. This instruction is assembled as an OR instruction.

4.3.3 TBR GD,IMM := CLOG IMM₁,GD := \$IF BIT(IMM) GD .EQ. 0 THEN

Test the bit in memory identified by the two operands and set the COND bit if the tested bit is a zero. Otherwise reset the COND bit. This instruction is assembled into a CLOG statement.

4.4 ARITHMETIC & LOGICAL INSTRUCTIONS

Arithmetic operations work on operands in two's complement form and affect the status byte. The result of an add, subtract, increment, or decrement instruction sets the COND bit if the result is zero, the H bit if logical high, the GT bit if arithmetic greater than, the OVF bit on overflow, and the CARRY bit if a carry occurs from the most significant digit. The divide instruction sets the OVF bit if the divisor is less than or equal to the first byte of the dividend. The compare instructions compare the destination operand to the source operand. For example, a CGT instruction sets the COND bit if the destination is greater than the source.

The address fields of these instructions contain one or two operands. In general the first is the source operand and the second the destination. For example, in an add operation the first operand is added to the second and in a subtract operation the first is subtracted from the second.

4.4.1 ADD

ADD OR A
DADD OR DA

Syntax definition: ADD GS,GD
DADD GS,GD

Example: LAB1 ADD 48,@X(ONE) ADD 48 TO (X) INDEXED
BY (ONE)

Definition: Replace GD with the sum of the GS and GD. Compare the result to zero and set/reset status bits to indicate this result

Status bits affected: H / GT / cond / carry / OVF

Execution results: (GD) := (GS)+(GD)

Application notes: ADD is used to add Twos complement integer. For example, if the address labeled TABLE contains >FE and the address labeled NO contains a >01; the instruction

ADD @TABLE,@NO

would result in NO containing a FF and TABLE remaining unchanged. The logical high bit would be set and the other bits reset.

Op Code: >A0

Format type: 1

4.4.2 SUBTRACT

SUB OR S
DSUB OR DS

Syntax definition: SUB GS,GD
 DSUB GS,GD

Example: LAB1 SUB @A,@B SUBTRACT (A) FROM (B)

Definition: Replace GD with the GD less the GS. Compare the result to zero and set/reset status bits to indicate this result.

Status bits affected: H / GT / cond / carry / OVF /

Execution results: (GD) := (GD) - (GS)

Application notes: Use the SUB instruction to subtract signed integer values. For example, if the location NEW contains a value of 6F and memory location OLD contains a value of -1; the instruction,

 SUB @OLD,@NEW

 results in the contents of NEW changing to >70. The logical high, greater than status bits set, the others reset.

Op Code: >A4

Format type: 1

4.4.3 MULTIPLY

MUL OR M
DMUL OR DM

Syntax definition: MUL GS,GD
DMUL GS,GD

Example: LAB1 MUL >4,@A MULTIPLY >4 TIMES (A)

Definition: Multiply the GD by the GS. In the single byte MUL, both operands are single byte values but the result is stored in a double byte location at GD. The 8 most significant bits are stored in the GD. In the double byte DMUL, both operands are double byte values and the result is a four byte value at GD. No status bits are affected. The multiply is an unsigned type.

Status bits affected: / H / GT / cond / carry / OVF /

Execution results: MUL : (GD,GD+1) :=(GS)*(GD)
DMUL : (GD,GD+1,GD+2,GD+3):= (GS, GS+1) *
(GD, GD+1)

Application notes: In the single MUL the GS & GD are 8-bit values. The result is a 16-bit value. In the double DMUL, the GS and GD are 16-bit values. The result is a 32-bit value. For example, if location A contains a >F3 and location B contains a >82, the instruction

MUL @A,@B

would result in location A being unchanged & location B containing >7B, and location (B+1) containing >66. Status bits are unchanged.

Op Code: >A8

Format type: 1

4.4.4 DIVIDE

DIV OR D
DDIV OR DD

Syntax definition: DIV GS,GD
DDIV GS,GD

Example: LAB1 DIV >08,@VALUE DIVIDE TWO BYTES STARTING AT
VALUE BY >08

Definition: Replace the GD with the quotient and remainder of GD divided by GS. Compare the result to zero and set/reset status bits to indicate the result. The divide is of the signed type.

Status bits affected: / H / GT / cond / carry / OVF /

Execution results:

DIV: (GD):= (GD,GD+1)/(GS) ;(GD+1):= remainder;
DDIV: (GD,GD+1):= (GD,GD+1,GD+2,GD+3)/(GS,GS+1);
(GD+2,GD+3):= remainder.

Application Note: If the DIV instruction is a single byte instruction, the single byte GS is divided into the double byte GD and the quotient is put in the GD. If the DDIV instruction is used, the two byte GS is divided into the four byte GD and the quotient is put into the two bytes at GD; the remainder is placed in two bytes at GD+2.

Op Code: >AC

Format type: 1

4.4.5 INCREMENT BY ONE

INC
DINC

Syntax definition: INC GD
 DINC GD

Example: LAB1 INC @A INCREMENT (A) BY 1

Definition: Replace the GD with the GD plus one. The result is compared with zero and the status bits are set/reset to indicate the result of this comparison.

Status bits affected: H / GT / cond / carry / OVF /

Execution results: (GD) := (GD)+1

Application notes: Use the INC instruction to count and index byte arrays, add a value of one to an addressable memory location, or set flags. For example, if COUNT contains a zero, the instruction

 INC @COUNT

 places a >01 in COUNT and sets the logical high, and arithmetic greater than status bits, while the condition, carry and overflow status bits are reset.

Op Code: >90

Format type: 6

4.4.6 INCREMENT BY TWO

INCT
DINCT

Syntax definition: INCT GD
DINCT GD

Example: LAB1 INCT @A INCREMENT (A) BY 2

Definition: Replace the GD with the GD plus two. The result is compared with zero and the status bits are set/reset to indicate the result of this comparison.

Status bits affected:

| | | | | |
|---|----|------|-------|-----|
| H | GT | cond | carry | OVF |
|---|----|------|-------|-----|

Execution Results: (GD) := (GD)+2

Application notes: Use the INCT instruction to count and index double byte arrays and add a value of two to an addressable memory location. For example, if TEMP contains the address >00 (i.e. points to the first temporary two byte location in CPU RAM; the instruction,

INCT @TEMP

places a 0002 in TEMP (so that it now points to the next two bytes of temporary byte CPU RAM).

Op Code: >94

Format type: 6

4.4.7 DECREMENT BY ONE

DEC
DDEC

Syntax definition: DEC GD
 DDEC GD

Example: LAB1 DEC @A DECREMENT (A) BY 1

Definition: Replace the GD with the GD minus one. The result is compared with zero & the status bits are set/reset to indicate the result of this comparison.

Status bits affected: H / GT / cond / carry / OVF /

Execution results: (GD) := (GD)-1

Application notes: Use the DEC instruction to subtract a value of one from any addressable operand. The DEC instruction is also useful in counting and indexing byte arrays. For example, if COUNT contains a value of 1, then

DEC @COUNT

results in a value of zero in location COUNT & sets the condition and carry status bits while resetting the logical high, arithmetic greater than, and overflow status bits.

Op Code: >92

Format type: 6

4.4.8 DECREMENT BY TWO

DECT
DDECT

Syntax definition: DECT GD
DDECT GD

Example: LAB1 DECT @A DECREMENT (A) BY 2

Definition: Replace the GD with the GD minus two. The result is compared with zero and the status bits are set/reset to indicate the result of this comparison.

Status bits affected: H / GT / cond / carry / OVF /
 | | | | |

Execution results: (GD) := (GD)-2

Application notes: The DECT instruction is useful in counting & indexing two byte arrays. Also, use the DECT instruction to subtract a value of two from any addressable operand. For example, if COLOR contains the value >0A the instruction

DECT @COLOR

would result in the value >08 being stored in COLOR .

Op Code: >96

Format type: 6

4.4.9 ABSOLUTE VALUE

ABS
DABS

Syntax definition: ABS GD

Example: LAB1 ABS @DX(INDEX) ABSOLUTE VALUE OF (DX)
INDEXED BY (INDEX)

Definition: Replace the GD with the absolute value of the GD.
Does not affect status bits.

Status bits affected: / GT / H / cond / carry / OVF /

Execution results: (GD) := ABS(GD)

Application notes: Use the ABS instruction to take the absolute value of an operand. For example if the location >76 (joystick Y) contains -4 then

ABS @ 76

will result in a +4 at >76.

Op Code: >80

Format type: 6

4.4.10 NEGATE

NEG
DNEG

Syntax definition: NEG GD
 DNEG GD

Example: LAB1 DNEG @B NEGATE TWO BYTES AT B

Definition: Replace the GD with its two's complement value.
 Does not affect status bits .

Status bits affected: / H / GT / cond / carry / OVF /

Execution results: (GD) := -(GD)

Applications notes: Use the NEG instruction to make the contents
 of an addressable memory location its additive
 inverse. For example if TEMP contains the
 value of 1, the instruction,

 NEG @TEMP

 would result in the value >FF being stored
 in TEMP.

Op Code: >82

Format type: 6

4.4.11 INVERT

INV
DINV

Syntax definition: INV GD
 DINV GD

Example: LAB1 INV @A INVERT (A)

Definition: Replace the GD with its one's complement value.
 Does not affect status bits.

Status bits affected: / GT / H / cond / carry / OVF /

Execution results: (GD) := LOGICAL INVERSION (GD)

Application notes: Use the INV instruction to complement an
 operand. For example if location COUNT
 contained a zero; the instruction

 INV @COUNT

 will result in a >FF being stored in COUNT.

Op Code: >84

Format type: 6

4.4.12 LOGICAL AND

AND
DAND

Syntax definition: AND GS,GD
 DAND GS,GD

Example: LAB1 AND >F0,@Y SET 4 LSB OF (Y) TO ZERO

Definition: Perform a bit-by-bit AND operation of the 8 (16) bits in GS with the GD and store the result in the GD. The result is compared to zero and the status bits are set/reset to indicate the result.

Status bits affected: H / GT / cond / carry / OVF /

Execution results: (GD) := (GS) AND (GD)

Application notes: Use the AND instruction to perform a logical AND operation between a GS and GD. The AND operation is useful in masking out bits before a comparison. If location X contains a >66 and location Y contains a >0F; the instruction

 AND @Y,@X

would result in X containing a 06. The GT and H status bits will be set and all other status bits reset.

Op Code: >B0

Format type: 1

4.4.13 LOGICAL OR

OR
DOR

Syntax definition: OR GS,GD
DOR GS,GD

Example: LAB1 DOR FFFE,@VALUE "OR" THE DOUBLE BYTE
IMMEDIATE VALUE FFFE WITH
(VALUE)

Definition: Replace the GD with the GD OR'd with the GS. Compare
the result to zero & set/reset the status bits to
indicate this result.

Status Bits Affected: H / GT / cond / carry / OVF

Execution results: (GD) := (GS) OR (GD)

Application notes: Use the OR instruction to perform a logical OR
between the GS and GD. If location A contains
>F6 and location B contains a >68 the instruction

OR @A,@B

would result in location B changing to >FE.
The logical high status bit will be set, the
rest will be reset.

Op Code: >B4

Format type: 1

4.4.14 EXCLUSIVE OR

XOR
DXOR

Syntax definition: XOR GS,GD
DXOR GS,GD

Example: LAB1 XOR >F8,@A "EXCLUSIVE OR" >F8 WITH (A)
A

Definition: Exclusively OR the GS and GD and replace the GD with the result. The result is compared to zero and the status bits are set/reset to indicate the result.

Status bits affected:

| | | | | |
|---|----|------|-------|-----|
| H | GT | cond | carry | OVF |
| | | | | |

Execution results: (GD) := (GS) XOR (GD)

Application notes: The exclusive OR is accomplished by comparing the GD and GS on a bit-by-bit basis. If the bits are both 0 or both 1, the GD is reset; otherwise it is set. If location A contains >88 and location B contains >87, the instruction

XOR @A,@B

would result in location B changing to >OF. The logical high and greater than status bits will be set, the rest will be reset.

To reverse bits in a byte, do an XOR with a number which has all bits set you want to reverse.

Op Code: >B8

Format type: 1

4.4.15 CLEAR LOCATION

CLR
DCLR

Syntax definition: CLR GD
DCLR GD

Example: LAB1 CLR @A STORE ZERO IN (A)

Definition: Replace the GD with a zero. Does not affect status bits.

Status bits affected: / H / GT / cond / carry / OVF /

Execution results: (GD) := 0

Applications notes: Use the CLR instruction to replace any addressable memory location with a zero.

Op Code: >86

Format type: 6

4.4.16 STORE

ST
DST

Syntax definition: ST GS,GD
 DST GS,GD

Example: LAB1 ST @X,@TEMP STORE CONTENTS OF LOCATION X
 IN LOCATION TEMP

Definition: Replace the GD with the GS. Status bits are not
 affected.

Status bits affected: / H / GT / cond / carry / OVF /

Execution results: (GD) := (GS)

Application notes: Use the ST instruction to copy the contents
 of any addressable memory location or an
 immediate value into any addressable memory
 location. For example, if location X
 contains a >88; the instruction

 ST @X,@TEMP

 will result in both location X and TEMP con-
 taining a >88.

Op Code: >BC

Format type: 1

4.4.18 PUSH ONTO DATA STACK

PUSH

Syntax definition: PUSH GD

Example: LAB1 PUSH @NEWEST PUSH VALUE AT LOCATION
NEWEST ONTO DATA STACK

Definition: Increment the data stack pointer & push the one
byte operand onto it. (Opposite of instruction
POP). No status bits are affected.

Status bits affected: / H / GT / cond / carry / OVF /

Execution results: (DATSTK) (DATSTK) + 1
((DATSTK)) := (GD)

Application notes: Use PUSH instruction to add to data stack.
Opposite of POP.

Op Code: >8C

Format type: 6

4.4.19 POP OFF OF DATA STACK

POP

Syntax definition: POP GD

Example: LAB1 POP @DAT POP top value off data
 stack and into location DAT

Definition: Pop a byte off the data stack and load it into
 GD, then decrement the value of the data stack
 pointer

Status bits affected: / H / GT / cond / carry / OVF /

Execution results: (GD):=((DATSTK))
 (DATSTK) (DATSTK) - 1

Application notes: This is a macro instruction which the
 assembler accepts. The pop instruction is
 the opposite of the PUSH instruction. It
 assembles into:

 ST *STATUS,GD

The interpreter traps this out to POP a
byte of data off the data stack and places
it into the GD, then decrements the data
stack pointer.

4.4.20 BLOCK MOVE

MOVE

Syntax definition: MOVE GS₁ FROM GS₂ TO GD

Example: MOVE 21 FROM ROM(#TABL) TO RAM(800)

Definition: Move the specified number of bytes from the source to the destination.

Status bits affected: / H / GT / cond / carry / OVF /
L1 (GD):=(GS2)
GD:=GD+1
GS2:=GS2+1
GS1:=GS1-1
\$IF GS1.GT: 0 GOTO L1;

Execution results: The requested number of bytes are transferred from the Source to the destination.

Application notes: The MOVE instruction is useful wherever a block of data must be moved from one section of memory to another. Note that the byte count is IMM or CPU and a double-byte value. The Source and Destination operands can represent blocks in CPU RAM, VDP RAM, or ROM. In addition, the following mnemonics can be used:

Destination only: VDP(IMM) ..block of VDP Registers

Instead of using a LABEL for GROM, an IMM field 0-48K, or a GS pointing into CPU RAM can be used (e.g. ROM(22), ROM(@CPULOC). Furthermore, an index can be used, as in the normal addressing mode (e.g. ROM(#AB(A)). The VDP registers cannot be used as Source, since they are write-only registers. The MOVE instruction uses two bytes of the subroutine stack.

Op code: >00

Format type: 9

More examples:

MOVE 7 FROM ROM(2000) TO VDP(1) ..loads up registers 1 thru 7.
MOVE @COUNT FROM @0 to @100 ..copy a block from CPU to CPU

4.4.21 SHIFT LEFT LOGICAL

SLL
DSLL

Syntax Definition: SLL GD, GS
 DSLL GD, GS

Example: LAB1 SLL @ VALUE,5 SHIFT (VALUE) LEFT
 LOGICAL 5 BITS

Definition: Shift the (GD) left for the (GS) number of bits.
 Fill in the vacated bits with logical zeros. Status
 is not affected.

Status bits affected: H / GT / cond / carry / OVF /

Execution results: Shift the (GD) left for the (GS) number of
 bits and fill in the vacated bit with zeros.

Application notes: Use the shift left logical to shift the GD.
 For example, if VAL has >21 in it, the
 instruction
 SLL @VAL, 2
 results in the contents of VAL becoming >84.
 DSLL requires a 2-byte shift count.

Op Code: >EO

Format type: 1

4.4.22 SHIFT RIGHT ARITHMETIC

SRA
DSRA

Syntax definition: SRA GD, GS
 DSRA GD, GS

Example: LAB1 SRA @A,@B SHIFT (A) RIGHT ARITHMETIC BY
 THE NUMBER OF BITS SPECIFIED
 IN LOCATION B

Definition: Shift the (GD) right for the (GS) number of bits.
 Fill in the vacated bits with the MSB of (GD).
 Status is not affected.

Status bits affected: H / GT / cond / carry / OVF

Execution results: See definition

Application Notes: An example of an arithmetic right shift is:
 if location contains a >86; the instruction

 SR @A,2

 will result in changing location A to be a
 E1. DSRA requires a 2-byte shift count.

Op Code: >DC

Format type: 1

4.4.24 SHIFT RIGHT CIRCULAR

SRC
DSRC

Syntax definition: SRC GD, GS
DSRC GD, GS

Example: LAB¹ SRC @A,@B SHIFT (A) RIGHT CIRCULAR BY
THE NUMBER OF BITS SPECIFIED
IN LOCATION B.

Definition: Shift the (GD) to the right for number of bits
specified in the GS while filling vacated bit
positions with the bit shifted out (LSB). Status
bits are not affected.

Status bits affected: / H / GT / cond / carry / OVF /

Execution results: See definition

Application notes: An example of a right circular shift is, if
location VALUE contains a >A5, the
instruction

SRC @VALUE,1

will result in location VALUE containing a
D2. DSRC requires a 2-byte shift count

Op Code: >E8

Format type: 1

4.5 GRAPHICS AND MISCELLANEOUS INSTRUCTIONS

COINC

4.5.1 COINCIDENCE

Syntax definition: LAB 1 COINC GS, GD

Example: COINC RAM (>300),RAM(>304) ,

Definition: The Source operand must indicate a Y,X byte pair for object 1; likewise, the Destination operand indicates the Y,X byte pair for object 2; COINC sets the status equal bit if the objects are in coincidence; otherwise it resets the status equal bit.

Status bits affected: H / GT / cond / carry / OVE /

Execution results: COND = (objects in coincidence?)

Application notes: See Appendix E for details on operation of the COINC INSTRUCTION.

Op Code: >ED

Format type: 1

4.5.2 LOAD BACKDROP COLOR

BACK

Syntax definition: BACK IMM

Example: LAB1 BACK 3 LOAD BORDER WITH COLOR 3

Definition: Load the border area of the display with the
 immediate color specified. Does not affect status
 bits. Loads VDP register 7.

Status bits affected: / H / GT / cond / carry / OVF /

Execution results: (VDP reg.7) := IMM

Application notes: Use the BACK instruction to change the VDP
 register 7 to change the border color of the
 display to the desired color.

Op Code: >04

Format type: 2

4.5.3 LOAD SCREEN

ALL

Syntax definition: ALL IMM

Example: LAB1 ALL 0 LOAD EVERY BLOCK ON SCREEN WITH
PATTERN #0 (RESIDES AT>0800 ->0807
IN VDP RAM)

Definition: Replace every byte in the pattern name table
(768 bytes) with the immediate operand. No status
bits are affected.

Status bits affected: / H / GT / cond / carry / OVF /

Execution results: ST IMM,RAM(0)
MOVE 767 from RAM(0) to RAM(1)

Application notes: Use the ALL instruction to display a
repetitive pattern on the entire screen.
This can be used to clear the screen.
Assuming >900 to >907 (Pattern number >20)
contains 00's (which they will at power up from
the ASCII default character set); the instruction

ALL >20

will result in the the sceen getting filled
up with ASCII blanks. No status bits are
affected.

Op Code: >07

Format type: 2

Syntax definition: FMT OPERAND1,OPERAND2,OPERAND3,...

Example: FMT BIAS=>20,4('0,2,4,6')

Definition: Output immediate and variable data to the Pattern Name Table in a controlled, formatted fashion.

Status bits affected: / H / GT / cond / carry / OVF /

Execution results: The Pattern Name Table is modified; see below.

Application notes:

The operands of the FMT instruction are encoded by the assembler and placed inline after the FMT op code. The FMT processor in the interpreter is essentially a sub-interpreter in that its "language" is different from the rest of GPL. The FMT instruction places data into the VDP Pattern Name Table in such a way that the resulting screen image is formatted in the way the programmer desires.

The locations XPT and YPT in the CPU RAM are used heavily by FMT to determine where to put the next bytes of data. These locations can be set within the FMT statement; they are updated by the FMT statement also.

Some of the FMT capabilities are:

- Place a sequence of immediate data across the screen from a defined starting point;
- Place a sequence of immediate data down the screen from a defined starting point;
- Repeat the same immediate data byte or sequence of bytes across or down the screen;
- Nest the above features in order to put data up in a rectangular fashion;

Each of the OPERANDs can be of one of the following formats:

'IMM,IMM,IMM,.....'

(places the data across the screen from starting point specified by XPT,YPT);

"IMM, IMM, IMM,"
 (places the data down the screen from
 starting point specified by XPT, YPT);

M('@IMM')
 (repeats the data from location IMM in
 CPU RAM across the screen M times, where
 M is from 1 to 32, or left off for 1, uses
 the data stack);

M'IMM'
 (repeats the same value across the screen
 M times; M is from 1 to 32, or left off for 1);

N"IMM"
 (repeats the same value down the screen
 N times; N is from 1 to 32);

':character string:' or ":character string:"
 (outputs the ASCII equivalents of the character
 string to the Pattern Name Table; note also
 that this colon-delimited string can be
 used wherever IMM is called for in the
 above formats);

N
 (adds the value of N to YPT, N from 1 to 32);

M
 (adds the value of M to XPT, M from 1 to 32);

XPT=IMM
 (sets XPT to a specified value);

YPT=IMM
 (sets YPT to a specified value);

BIAS=GS
 (sets the BIAS to a specified value, see below);

Upon entering the FMT statement, the BIAS is 0. Everything that gets output to the Pattern Name Table gets the value of BIAS added to it. Setting the BIAS to a non-zero value allows using the same FMT statement to output alternate character sets, the same character set of different colors, etc.

Any sequence of operands to the FMT instruction may be enclosed in parentheses, and a "loop" count constant used in front of it. The operands inside the parentheses are then effectively repeated the number of times specified by the loop count. Examples of this will be seen below. Furthermore, these loop structures may be nested inside one another.

If a horizontal boundary is reached while outputting data to the VDP, XPT is reset to 0 and YPT is incremented. Thus further data is then output starting at the beginning of the next line. If the vertical boundary is reached, YPT is reset to 0 ; XPT is kept the same (this means vertical wrap-around will be to the same column).

Examples:

```
FMT 3":HELLO:"          (Repeats HELLO 3 times
                        down the screen)

HOME
FMT 32'>E0',22('>E0',30<,'>E0'),32,'>E0'
                        (Puts a border around the
                        screen one character wide
                        of character >E0)

FMT BIAS=>A0,XPT=13,YPT=23,':TENNIS:'
                        (Adds >A0 to the hex value of
                        the ASCII characters and puts
                        those characters on the screen)

PADL1 EQU >A5

FMT XPT=15,YPT=1, 22"PADL1" (Puts 22 of characer >A5
                        down the screen)

FMT BIAS=>20,2('@NUM') (Adds >20 to the value stored
                        in NUM and puts 2 of those
                        characters on the screen.)

FMT 3(1^,29<,3(':AAA:')) (Moves pointer one line down,
                        29 spaces right, and puts 9
                        A's on the screen--repeats
                        this two more times)

FMT BIAS=RAM(0),1,2,3,4,5,6,7,8,9,0
                        (Adds the value at RAM(0) to
                        each number and puts that
                        character across the screen)

FMT XPT=0,YPT=0,"MY:",1^,2<,"ARM:",1^,3<;
      ":THAT:",1^,4<,"THROWS:"
                        (Starting at the top corner,
                        puts MY down the screen, moves
                        down 1 line, right 2 spaces,
                        puts ARM down screen, moves
                        down 1 line, right 3 spaces,
                        puts THAT down the screen,
                        moves down one line, right 4
                        spaces, puts THROWS down the
                        screen.)
```

Op Code >08

Format type: 7

4.5.5 GENERATE RANDOM NUMBER

RAND

Syntax definition: RAND IMM

Example: LABEL RAND 25 GENERATE A RANDOM NUMBER FROM
0 TO 25 INCLUSIVE

Definition: Generate a random number from zero to the immediate operand and store this number in location >78 of CPU RAM. Does not affect status bits. If no immediate value is specified, the default is 255.

Status bits affected: / H / GT / cond / carry / OVF /

Execution results: (RAND) := Random number in (0, IMM)

Application notes: Use RAND to generate random numbers. For example, for RAND sprite motion the instruction,

RAND 3

would generate a random number between 0 and 3 inclusive.

There is a useful way to generate the initial seed for the random number:

```
LOOP1 RAND
      SCAN
      BR LOOP1
```

This method generates a "random" number of calls to RAND, depending on how long it takes for a key to be pressed. All subsequent calls to RAND will thus generate unique random numbers every time the program is run. It is good to use this loop everywhere you do a scan if you need really random numbers.

Op Code: >02

Format type: 2

4.5.6 SCAN KEYBOARD

SCAN

Syntax definition: SCAN

Example: LAB1 SCAN SCAN KEYBOARD

Definition: Scans keyboard specified in >74 in CPU RAM. Returns the keycode in location >75, the Y-position of the joystick in location >76, and the X-position in location >77. The COND bit is set if a key is found depressed; however, the keypad or keyboard is "debounced" in the sense that if the same key is found depressed as was depressed upon the previous call to SCAN (on the same keyboard), the proper keycode is returned, but the COND bit is reset.

Status bits affected: / H / GT / cond / carry / OVF /

Execution results: >75 := KEY value
>76 := JOYY
>77 := JOYX
COND := set if new key; reset if old key or no key

Applications notes: See Appendix D for details on handsets and keyboards.

Assembly Language: There is a keyboard scan subroutine that can be called while executing 9900 Assembly Language code. This subroutine is located at location >000E in the console ROM. The keyboard number (CPU >74) should be specified before calling the subroutine. A BL to this subroutine will serve the same purpose as a SCAN instruction in Graphics Language.

Op Code: >03

Format type: 5

4.5.7 EXECUTE MACHINE LANGUAGE

XML

Syntax definition: XML IMM

Example: LAB1 XML >05

Definition: Begin execution of 9900 machine language.
Use the IMM field to tell where.

Status bits affected: / H / GT / cond / carry / OVF /

Execution results: Execute 9900 machine language directly.

Application Notes: The immediate field of the XML instruction is split into a left nybble (table number) and a right nybble (index into table). There are 16 table addresses defined in the CPU address space. See Table 4.5.1 for a list of these hardcoded values (note that they have been arranged so as to insure that at least one table exists in any conceivable plug-in fast ROM). The left nybble specifies which of the 16 tables to get the Branch address from. The right nybble is then used to determine which of the 16 addresses in the table to use. Each table can contain up to 16 2-byte entry-point addresses. Note that one can have less if one wishes. As an example of XML,

XML >24

causes a branch to the address contained in the fifth entry of Table 2.

Upon entry to a routine, the 9900 workspace pointer is set to >83E0 and the 9900 ST is set to an unknown value. To return control to the interpreter, make sure WP is still >83E0 and execute a "B *R11". GPL execution will continue out of the GROM from which the XML was seen, at the address specified by the internal GROM address.

To do a keyboard scan in 9900 Assembly Language, do a BL to a subroutine located at location >000E in console ROM.

Op Code: >0F

Format type: 2

TABLE 4.5.1
XML TABLE

| TABLE # | FUNCTION | ADDRESS (>) |
|---------|-------------------------------|------------------|
| 0 | FLOATING POINT ROUTINES | "FLTTAB" |
| 1 | CONVERSION AND BASIC ROUTINES | "XTAB" |
| 2 | SYSTEM EXPANSION ROM/RAM | 2000 |
| 3 | BASIC ENHANCEMENT | 3FC0 and "XTAB3" |
| 4 | BASIC ENHANCEMENT | 3FE0 and "XTAB2" |
| 5 | NOT AVAILABLE | 4010 |
| 6 | NOT AVAILABLE | 4030 |
| 7 | GROM MODULE ROM/RAM | 6010 |
| 8 | GROM MODULE ROM/RAM | 6030 |
| 9 | GROM MODULE ROM/RAM | 7000 |
| 10 | FUTURE EXPANSION | 8000 |
| 11 | FUTURE EXPANSION | A000 |
| 12 | FUTURE EXPANSION | B000 |
| 13 | FUTURE EXPANSION | C000 |
| 14 | FUTURE EXPANSION | D000 |
| 15 | SCRATCH PAD RAM | 8300 |

4.5.8 EXIT GPL

EXIT

Syntax definition: EXIT

Example: EXIT

Definition: Terminate GPL execution; return control to the system monitor.

Status bits affected:

Execution results: The monitor performs a restart sequence.

Application notes: All GPL programs that terminate should use the EXIT command. See the Monitor Specification for details on system restart.

Op code: >0B

Format type: 5

4.5.9 I/O INSTRUCTION

I/O

Syntax definition: I/O GS,IMM

Example: I/O @BLOCK,2

Definition: This is an extended instruction in the sense that the action that occurs depends upon the value of the IMM field. Specifically, this instruction does SOUND, CRU input and output.

Status bits affected: / H / GT / cond / carry / OVF /

Execution result: See below.

Application notes: See Appendix F for currently supported uses for the I/O instruction.

Op code: >F6

Format type: 8

4.5.10 HOME INSTRUCTION

HOME

Syntax Definition: HOME

Example: HOME

Definition: SET XPT and YPT equal to zero

Status bits affected: None

Execution results: >7E (YPT): = 0
>7F (XPT): = 0

Application notes: The HOME instruction assembles the same as:
DCLR YPT

APPENDIX A - THE GPL ASSEMBLER

SOURCE FILE FORMAT

GPL source instructions are entered as card images to the assembler in a free field format with the restrictions that LABEL fields must begin in column 1 and Operand list fields must begin before column 25. No imbedded blanks are permitted within an operand list. Blank lines in the source are ignored.

The format of a typical instruction is:

(LABEL) (INSTRUCTION MNEMONIC) (OPERAND LIST) (COMMENT)

The LABEL field is always optional. It consists of an alpha-numeric string of up to 6 characters, the first of which must be non-numeric. Up to 1000 LABELS can be defined in any one source file. Any label that is defined in a source file can be referred to in the OPERAND LIST of any other instruction in that source file. Note that SYMBOLS (as defined using the EQU directive) are exactly like LABELS and their usage is the same.

The INSTRUCTION MNEMONIC must be one of the valid mnemonics as described in Section 4 of this manual. The OPERAND LIST must be of the type required by that particular instruction. For instructions that allow OPERAND LISTS of arbitrary length, this field may be continued up to 16 lines by terminating an OPERAND with a semicolon instead of a comma (the FMT is an example).

The comment field must be separated from the OPERAND LIST by at least one space. A comment cannot be placed on the same line with a \$Case macro instruction. In addition, GPL instructions which have no operands (e.g. CARRY, GT, H, OVF, SCAN, RTN, etc.) will only allow comments beyond column 25. A line of source code should not consist of only a label and a comment.

ASSEMBLER DIRECTIVES

These directives have a format similar to GPL instructions; they can include LABEL fields as well as comment fields.

DATA IMM, IMM, IMM, . . .

The DATA instruction is used to generate a sequence of bytes in the Graphics ROM. The address field contains a list of immediate values or LABELS. In conjunction with the MOVE instruction, the DATA statement provides a way to load up a sequential block of CPU or VDP RAM. For example:

```
MOVE 10 FROM ROM(#LAB1) TO RAM(>300)
```

where later on in the source:

```
LAB1 DATA 0,1,2,3,4,5,6,7,8,9
```

TITLE XXXXXXXX

The TITLE directive provides an 8 character string that is printed at the top of each page of listing and included in the object file. It generates no code and should be placed at the very beginning of the source file.

END

The END directive may be used to separate blocks of code. It also is required to terminate the source file.

(SYMBOL) EQU IMM

The EQU directive assigns the immediate field value to the symbol that starts in column one. A symbol may be a one or two byte value.

GROM IMM

The GROM directive selects which GROM the assembled program is to be in. In the current definition of the system the operand must be less than eight and the maximum length of the program in a GROM is 6K. The GROM directive sets the assembler location counter to the start of the selected ROM. Remember that if a program is longer than 6144 (>1800) bytes, it must be partitioned into segments. The only way to transfer control from one GROM to another is through the long Branch instruction. However, references can be made to LABELS and SYMBOLS in different GROMS.

ORG IMM

The ORG directive sets the assembler location counter to the displacement within the currently selected ROM specified by the operand. This is useful for generating data in a different section of the GROM than the program. IMM must be a value from 0 to >17FF.

BASE IMM₁, IMM₂, IMM₃, IMM₄, IMM₅, IMM₆, IMM₇

The BASE directive specifies the base addresses for the various sub-blocks in VDP RAM. The seven operands are the base addresses for the Pattern Name Table, Pattern Generator Area, the Pattern Color Table, Sprite Attribute List, Sprite Descriptor Blocks, Sprite Velocity Table, and object code bias. The default values correspond to the standard configuration and are 0, >800, >380, >300, >400, >780 and 0. It is necessary to use a BASE directive only if one wishes to use the special mnemonics in the MOVE instruction, and base addresses other than the defaults listed above are used.

PAGE

The PAGE directive causes the listing to continue on a new page. The PAGE statement is not printed.

LIST

The LIST directive restores printing of the source listing. This directive is required only when UNL directive is in effect, to cause the assembler to resume printing. The LIST statement is not printed.

UNL

The UNL directive inhibits printing of the source listing. The UNL statement is not printed.

LISTM

The LISTM directive restores printing of multiple lines of object code. This directive is required only if a UNLM directive is in effect. This statement is not printed.

UNLM

The UNLM directive inhibits printing of multiple lines of object code. This statement is not printed.

GPL MACROS

These macro instructions are designed to allow implementation of control statements similar to those in high level languages like PASCAL. Table A.1 shows the GPL instructions which each macro expands to. The mnemonics for the statements are:

\$END

Terminator for the \$WHILE, \$FOR, \$IF, \$ELSE, and \$SEELSE statements.

\$SEND

Same as end \$END. When used as a terminator for \$WHILE and \$FOR, it generates a BR instead of a B.

\$WHILE GD .R. GS

Causes the following block to be executed as long as the comparison is true. A list of valid relations is given below.

\$REPEAT

Causes the following block to be executed until the comparison in the terminating \$UNTIL statement is true. The block is executed at least once.

\$UNTIL GD .R. GS

Terminator for the \$REPEAT statement.

\$FOR GD = GS TO GS BY GS

Causes the following block to be executed as a loop. The loop is controlled by a counter specified by the first operand. The counter is initialized by the second operand and incremented by the optional fourth operand until it is greater than (arithmetic compare) the third operand. The range of each GS operand and the GD operand is 0- >7F. If there is no fourth operand specified, a default value of 1 is used to increment the second operand.

\$FOR GD = GS DOWNTO GS BY GS

Same as previous statement except that the counter is decremented by the optional fourth operand until it is less than (arithmetic compare) the third operand.

\$IF GD .R. GS GOTO LAB

The branch is taken if the comparison is true and otherwise execution continues at the next line. No END statement is required with this form of \$IF. LAB must be a label in the same GROM because the compare generates a BS or BR instruction.

\$IF GD .R. GS THEN

The following block is executed if the comparison is true. If false it is skipped. An END statement must terminate the block. If the "GOTO LAB" or "THEN" is omitted from a \$IF statement, the statement is treated as a \$IF-THEN.

\$ELSE

Terminates a block following an \$IF statement. If the comparison was true causes a skip around the following block. If the comparison was false the block is executed.

\$SELSE

Same as \$ELSE, except it generates a BR instead of a B.

\$CASE VAR OF LAB1, LAB2, ...

Branches to the label in the list whose position corresponds to the value of the operand. (If the value in VAR is 0, then the program branches to LAB1; if the value is 1, then the program branches to LAB2, etc.) All labels in the list must be contained in the same GROM as the \$CASE statement.

\$GOTO LAB

Branches to the label. Label can be anywhere in the program since the \$GOTO generates a long branch.

\$CALL LAB

Calls the label as a subroutine.

The comparisons may take the following relations:

.H. .HE. .L. .GT. .GE. .LT. .LE.
.DH. .DHE. .DL. .DGT. .DGE. .DLT. .DLE.
.EQ. .NE. .AND.
.DEQ. .DNE. .DAND.

These relations are used in the logical expressions. .H., .HE., .L., .DH., .DHE., and .DL. are LOGICAL comparisons. .GT., .GE., .LT., .LE., .DGT., .DGE., .DLT., and .DLE. are ARITHMETIC comparisons. The relations .AND. or .DAND. generate a CLOG of the GS and GD. Additionally the relations .H., .GT., .OVF., .CARRY. may be used without GS and GD arguments to test bits in the STATUS byte. The negating prefix .NOT. may be used before the relation or first argument to reverse the sense of the test.

Individual bits may be tested by using the prefix .BITn or .BIT(IMM) before the first argument where n is a bit number from 0 to 7 or IMM is equated to a number from 0 to 7. Only the .EQ. and .NE. relations may be used and the second argument must be a 0 or 1.

TABLE A.1
MACRO EXPANSIONS

| INSTRUCTION | | \$IF-THEN | \$IF-GOTO | \$REPEAT-\$UNTIL | \$WHILE |
|-------------|-------------|-----------|-----------|------------------|---------|
| RELATION | INSTRUCTION | BS/BR | BS/BR | BS/BR | BS/BR |

TEST OF BITS IN THE STATUS BYTE:

| | | | | | |
|---------|-------|----|----|----|----|
| .H. | H | BR | BS | BR | BR |
| .GT. | GT | BR | BS | BR | BR |
| .OVF. | OVF | BR | BS | BR | BR |
| .CARRY. | CARRY | BR | BS | BR | BR |

TEST RELATION OF GD TO GS:

| | | | | | |
|-------|------|----|----|----|----|
| .EQ. | CEQ | BR | BS | BR | BR |
| .NE. | CEQ | BS | BR | BS | BS |
| .H. | CH | BR | BS | BR | BR |
| .HE. | CHE | BR | BS | BR | BR |
| .L. | CHE | BS | BR | BS | BS |
| .GT. | CGT | BR | BS | BR | BR |
| .GE. | CGE | BR | BS | BR | BR |
| .LT. | CGE | BS | BR | BS | BS |
| .LE. | CGT | BS | BR | BS | BS |
| .AND. | CLOG | BR | BS | BR | BR |

TEST RELATION OF GD TO 0:

| | | | | | |
|------|----|----|----|----|----|
| .EQ. | CZ | BR | BS | BR | BR |
| .NE. | CZ | BS | BR | BS | BS |

All other relations of GD to 0 are tested as GD to GS, using 0 as the GS.

Following are several MACRO instructions with their graphics language equivalents:

- \$REPEAT
\$UNTIL GD .NOT. .H. GS

| | |
|----|---------------------------|
| CH | GS, GD |
| BS | (Code following \$REPEAT) |
- \$REPEAT
\$UNTIL GD .HE. GS

| | |
|-----|---------------------------|
| CHE | GS, GD |
| BR | (Code following \$REPEAT) |
- \$REPEAT
\$UNTIL .NOT. GD .AND. GS

| | |
|------|---------------------------|
| CLOG | GS, GD |
| BS | (Code following \$REPEAT) |
- \$REPEAT
\$UNTIL .OVF.

| | |
|-----|---------------------------|
| OVF | |
| BR | (Code following \$REPEAT) |

MACRO EXPANSIONS - TABLE A.1

| | | |
|--|----------------------------------|--|
| 5. \$WHILE GD .NE. GS \$END | CEQ BS B | GS,GD (Code following \$END) \$WHILE |
| 6. \$WHILE .BIT5 GD .EQ. 1 \$END | CLOG BS B | >20,GD (Code following \$END) \$WHILE |
| 7. \$WHILE .CARRY. \$END | CARRY BR B | (Code following \$END) \$WHILE |
| 8. \$IF GD. .EQ. GS THEN \$ELSE \$END | CEQ BR B | GS,GD (Code following \$ELSE) (Code following \$END) |
| 9. \$IF GD .DGE. GS THEN \$END | DOGE BR | GS,GD (Code following \$END) |
| 10. \$IF GD .L. GS THEN \$END | CHE BS | GS,GD (Code following \$END) |
| 11. \$IF GD .NOT. .AND. GS THEN \$END | CLOG BS | GS,GD (Code following \$END) |
| 12. \$IF GD .GT. GS GOTO LABEL | CGT BS | GS,GD LABEL |
| 13. \$IF .H. THEN \$END | H BR | (Code following \$END) |
| 14. \$IF BIT7 GD .NE. 0 THEN \$END | CLOG BS | >80,GD (Code following \$END) |
| 15. \$FOR GD = GS ₁ TO GS ₂ BY GS ₃ \$FOR+6 \$+6 \$END | ST B ADD CGT BS B | GS ₁ ,GD \$ + 6 GS ₃ , GD GS ₂ , GD (Code following \$END) \$FOR+6 |

Page Three
 MACRO EXPANSIONS - Table A.1

| | | | |
|------------------------------|---------|------|------------------------|
| 16. \$FOR GD = 0 TO GS | | CLR | GD |
| | | B | \$+5 |
| | \$FOR+5 | INC | GD |
| | \$+5 | OGT | GS, GD |
| \$END | | BS | (Code following \$END) |
| | | B | \$FOR+5 |
| 17. \$FOR GD = GS DOWNT0 0 | | ST | GS, GD |
| | | B | \$+5 |
| | \$FOR+6 | DEC | GD |
| | \$+5 | CGE | GS, GD |
| \$END | | BR | (Code following \$END) |
| | | B | \$FOR+6 |
| 18. \$CASE VAR OF LAB1, LAB2 | | CASE | VAR |
| | | ER | LAB1 |
| | | ER | LAB2 |
| 19. \$GOTO LABEL | | B | LABEL |
| 20. \$CALL LABEL | | CALL | LABEL |

APPENDIX B AUTOMATIC SPRITE MOTION

Any number of Sprites from 1 to 32 can be set into motion in such a way that the direction and speeds of each Sprite are constant, and independent of each other. The MOTION byte in the STATUS BLOCK, which is normally 0, is set by the programmer to the number of Sprites he wants to be governed by auto-motion. If set to N, Sprite (0) thru Sprite (N-1) in the Sprite Attribute List are set in motion. The Sprites are moved by updating the Y and X pixel positions for each one in the Sprite Attribute List.

A motion control block must be set up in VDP RAM prior to making the MOTION byte non-zero. This control block must begin at >780 in the VDP RAM. Four bytes are required for each Sprite to be controlled:

- byte 1: velocity in the vertical direction;
- byte 2: velocity in the horizontal direction;
- bytes 3,4: reserved for system use.

The velocity bytes are scaled in such a way that a value of 1 causes the Sprite to move in that direction once every 16 frame refreshes (or 16/60 second, about $\frac{1}{4}$ second). A value of 16 in a velocity byte causes a movement of one pixel every one-sixtieth of a second, or 60 pps. A positive Y velocity causes downward motion, a positive X velocity causes horizontal motion to the right. As an example, if the first two bytes are 1 and 8, then every 16 frame refreshes the Sprite will move 1 pixel down and 8 pixels to the right. The motion will appear to be continuous.

For a complete example of Sprite auto-motion, see sample program "SPRITES" on the following page.

```

1          TITLE SPRITES
2  *  STATUS BLOCK LOCATION TELLING NUMBER OF MOVING SPRITE
007A      3  MPC    EQU  >7A
4  *
0001      5  BLACK EQU  1
6  *****
7  *
8  *****
9  ***    TELLS BEGINNING LOCATION OF OBJECT CODE (>6000)
10         GROM  3
11         ORG   0
12  ***
13         DATA >AA, 1, 1
14         DATA 0, 0, 0
15         DATA #PROG1
16         DATA 0, 0, 0
17         DATA 0, 0, 0
18         DATA 0, 0
19  PROG1   DATA 0, 0
20         DATA #START
21         DATA 7, : SPRITES:
22  ***
23  START   ST   32, @MPC      *32 SPRITES ALLOWED TO MOVE
24  ***
25         ST   >01, RAM(>384) *COLOR SPACE BLACK
26  ***
27         MOVE 1 FROM ROM(#VDPREG) TO VDP(1)
28  ***
29         MOVE 128 FROM ROM(#SALINT) TO RAM(>300)
30  ***
31         MOVE 128 FROM ROM(#SHAPE) TO RAM(>400)
32  ***
33         MOVE 128 FROM ROM(#SMOTAB) TO RAM(>780)
34  ***
35         ALL  >20
36         BACK BLACK      *BORDER IS BLACK
37         B    $
38  VDPREG  DATA >62

```

```

40 *****
41 *           SPRITE ATTRIBUTE LIST INITIALIZATIONS
42 *****
43 SALINT DATA >00,>00,>80,>2,>06,>08,>84,>3
6046 000080
6049 020608
604C 8403
604E 0C1088 44 DATA >0C,>10,>88,>4,>12,>18,>8C,>5
6051 041218
6054 8C05
6056 182080 45 DATA >18,>20,>80,>6,>1E,>28,>84,>7
6059 061E28
605C 8407
605E 243088 46 DATA >24,>30,>88,>8,>2A,>38,>8C,>9
6061 082A38
6064 8C09
6066 304080 47 DATA >30,>40,>80,>A,>36,>48,>84,>B
6069 0A3648
606C 840B
606E 3C5088 48 DATA >3C,>50,>88,>C,>42,>58,>8C,>D
6071 0C4258
6074 8C0D
6076 486080 49 DATA >48,>60,>80,>E,>4E,>68,>84,>F
6079 0E4E68
607C 840F
607E 547088 50 DATA >54,>70,>88,>2,>5A,>78,>8C,>3
6081 025A78
6084 8C03
6086 608080 51 DATA >60,>80,>80,>4,>66,>88,>84,>5
6089 046688
608C 8405
608E 6C9088 52 DATA >6C,>90,>88,>6,>72,>98,>8C,>7
6091 067298
6094 8C07
6096 78A080 53 DATA >78,>A0,>80,>8,>7E,>A8,>84,>9
6099 087EAB
609C 8409
609E 84B088 54 DATA >84,>B0,>88,>A,>8A,>88,>8C,>B
60A1 0A8AB8
60A4 8C0B
60A6 90C080 55 DATA >90,>C0,>80,>C,>96,>CB,>84,>D
60A9 0C96CB
60AC 840D
60AE 9CD088 56 DATA >9C,>D0,>88,>E,>A2,>DB,>8C,>F
60B1 0EA2D8
60B4 8C0F
60B6 ABEO80 57 DATA >AB,>EO,>80,>2,>AE,>EB,>84,>4
60B9 02AEE8
60BC 8404
60BE B4F088 58 DATA >B4,>F0,>88,>6,>BA,>FB,>8C,>8
60C1 06BAF8
60C4 8C0E

```

```

60 *****
61 *                               SPRITE MOTION TABLE
62 *****
63 SMOTAB DATA 2, 16, 0, 0, 2, 14, 0, 0

60C6 021000
60C9 00020E
60CC 0000
60CE 020C00    64      DATA 2, 12, 0, 0, 2, 10, 0, 0
60D1 00020A
60D4 0000
60D6 020800    65      DATA 2, 8, 0, 0, 2, 6, 0, 0
60D9 000206
60DC 0000
60DE 020400    66      DATA 2, 4, 0, 0, 2, 2, 0, 0
60E1 000202
60E4 0000
60E6 040200    67      DATA 4, 2, 0, 0, 6, 2, 0, 0
60E9 000602
60EC 0000
60EE 080200    68      DATA 8, 2, 0, 0, 10, 2, 0, 0
60F1 000A02
60F4 0000
60F6 0C0200    69      DATA 12, 2, 0, 0, 14, 2, 0, 0
60F9 000E02
60FC 0000
60FE 100200    70      DATA 16, 2, 0, 0, 8, 0, 0, 0
6101 000800
6104 0000
6106 00F800    71      DATA 0, -8, 0, 0, -2, -16, 0, 0
6109 00FEF0
610C 0000
610E FEF200    72      DATA -2, -14, 0, 0, -2, -12, 0, 0
6111 00FEF4
6114 0000
6116 FEF600    73      DATA -2, -10, 0, 0, -2, -8, 0, 0
6119 00FEFB
611C 0000
611E FEFA00    74      DATA -2, -6, 0, 0, -2, -4, 0, 0
6121 00FEFC
6124 0000
6126 FEFE00    75      DATA -2, -2, 0, 0, -4, -2, 0, 0
6129 00FCFE
612C 0000
612E FAFE00    76      DATA -6, -2, 0, 0, -8, -2, 0, 0
6131 00F8FE
6134 0000
6136 F6FE00    77      DATA -10, -2, 0, 0, -12, -2, 0, 0
6139 00F4FE
613C 0000
613E F2FE00    78      DATA -14, -2, 0, 0, -16, -2, 0, 0
6141 00FOFE
6144 0000

```

```

80 *****
81 *           SPRITE DESCRIPTOR BLOCKS
82 *           (SQUARE, DIAMOND, CIRCLE, TRIANGLE)
83 *****
6146 FFFFC0 84 SHAPE DATA >FF,>FF,>CO,>CO,>CO,>CO,>CO,>CO
6149 C0C0C0
614C C0C0
614E C0C0C0 85 DATA >CO,>CO,>CO,>CO,>CO,>CO,>FF,>FF
6151 C0C0C0
6154 FFFF
6156 FFFF03 86 DATA >FF,>FF,>03,>03,>03,>03,>03,>03
6159 030303
615C 0303
615E 030303 87 DATA >03,>03,>03,>03,>03,>03,>FF,>FF
6161 030303
6164 FFFF
6166 010306 88 DATA >01,>03,>06,>0C,>1B,>30,>60,>C0 DIA
6169 0C1830
616C 60C0
616E C06030 89 DATA >C0,>60,>30,>1B,>0C,>06,>03,>01
6171 180C06
6174 0301
6176 80C060 90 DATA >80,>C0,>60,>30,>1B,>0C,>06,>03
6179 30180C
617C 0603
617E 03060C 91 DATA >03,>06,>0C,>1B,>30,>60,>C0,>80
6181 183060
6184 C080
6186 071F3C 92 DATA >07,>1F,>3C,>70,>60,>E0,>C0,>C0 CI
6189 7060E0
618C C0C0
618E C0C0E0 93 DATA >C0,>C0,>E0,>60,>70,>3C,>1F,>07
6191 60703C
6194 1F07
6196 E0F83C 94 DATA >E0,>FB,>3C,>0E,>06,>07,>03,>03
6199 0E0607
619C 0303
619E 030307 95 DATA >03,>03,>07,>06,>0E,>3C,>FB,>E0
61A1 060E3C
61A4 FBEO
61A6 010103 96 DATA >01,>01,>03,>03,>06,>06,>0C,>0C TRIA
61A9 030606
61AC 0C0C
61AE 181830 97 DATA >1B,>1B,>30,>30,>60,>60,>FF,>FF
61B1 306060
61B4 FFFF
61B6 8080C0 98 DATA >80,>80,>C0,>C0,>60,>60,>30,>30
61B9 C06060
61BC 3030
61BE 18180C 99 DATA >1B,>1B,>0C,>0C,>06,>06,>FF,>FF
61C1 0C0606
61C4 FFFF
100 END
    
```

ERRORS= 0

LENGTH= 454 (>01C6)

APPENDIX C AUTO-SOUND INSTRUCTION

The sound instruction allows the programmer to control the Sound Generator Chip (SGC) in the system console by means of a pre-defined table in GROM, or VDP RAM. Sound output is controlled by the table and the VDP interrupt service routine. A control byte at the end of the table can tell the interpreter to end sound output, or can cause control to loop back up in the table.

Table Format

The format of the table is the same regardless of where it resides. The table consists of a series of blocks, each of which contains a series of bytes which are directly output to the SGC. The exact format of each block is:

```
(block size in bytes)
byte 1 to output to SGC;
byte 2
.
.
byte N1
Interrupt count (unsigned)
```

Since the VDP generates 60 interrupts per second, the interrupt count is expressed in units of one-sixtieth of a second. When the I/O instruction is called, upon the next occurring VDP interrupt, the first block of bytes is output to the SGC chip. The interpreter then waits for the requested number of interrupts (for example, if interrupt counts are 1, every

interrupt causes the next block to be output). Remember that interpretation of GPL continues normally while the SGC control is enabled.

The sound control can be terminated by using an interrupt count of 0 in the last block of the table. Alternatively, a primitive looping control is provided by using a block whose first byte is 0, and the next 2 bytes indicate an address in the same memory space of the next sound block to use. If the first byte is hexadecimal FF, the next two bytes indicate an address in the other memory space. These allow switching sound lists from GROM to VDP or VDP to GROM. By making this the beginning of the entire table, the sound sequence can be made to repeat indefinitely.

To initiate sound use the I/O instruction:

I/O GS, 0 for list in GROM

or I/O GS,1 for list in VDP RAM, e.g. I/O @FAC, 1

The GS points to two-byte block in CPU RAM which contains the address of the sound list.

GPL can also check for completion of an executing sound list by testing whether location >83CE (>CE in GPL) in CPU RAM is equal to 0 (this byte is a down-counter and is 0 only after table-driven execution is complete. Additionally, the address of the sound block currently executing is in CPU RAM locations >83CC and >83CD.

Executing a sound list while table-driven sound control is already in progress (from a previous sound list) causes the old

sound control to be totally supplanted by the new sound instruction.

Sound Generator CHIP (SGC) Control Summary

The SGC has 3 tone (square wave) generators - 0, 1, and 2 - all of which can be working simultaneously or in any combination. The frequency (pitch) and attenuation (volume) of each generator can be independently controlled. In addition, there is a noise generator which can output white or periodic noise.

Attenuation Control (for generators 0,1,2 or 3)

One byte must be transmitted to the SGC:

+ + + + + + + + +
/1 /REG# /1 / A /

REG# = register number (0,1,2,3);

Â = attenuation/2

(e.g. A=0000 = 0 db = highest volume;

A=1000 = 16 db = medium volume;

A=1111 = 30 db = off.)

examples: 1 10 1 0000: turn on gen. #2 to highest volume;

1 11 1 1111: turn off noise generator (#3).

You should not use all three tone generators at maximum volume at once.

Frequency Control (for generators 0,1,2)

Two bytes must be transmitted to the SGC to control the frequency of a given register. To compute the number of counts from the frequency f, use:

$$N = 111860 / f ;$$

| | |
|----------------------------|-------------------------|
| byte 1: | byte 2: |
| + + + + + + + + + | + + + + + + + + + |
| /1 /REG# / N (ls 4 bits) / | / 0 0 / N (ms 6 bits) / |

Note that N must be split up into its least significant 4 bits and most significant 6 bits (10 bits total).

The lowest frequency possible is 110 Hz and the highest is 55,938 Hz.

Noise Control

One byte must be transmitted to the SGC:

| |
|----------------------|
| + + + + + + + + + |
| /1 1 1 0 /0 /T / S / |

T = 0 for white, 1 for periodic noise;

S = Shift rate (0,1,2,3) =frequency center of noise.

S = 3 = frequency dependent on the frequency of tone generator 3.

For more information on controlling the SGC, see the TMS9919 SGC Specification.

Creates a Falling Sound (High to Low)

SOUND EQU >00

DTEMP1 EQU >02

TR EQU >79

MUSIC EQU >400

MOVE 8 FROM ROM(#DROP) TO RAM(MUSIC)

DST >0039, @DTEMP1 >39 = Highest frequency played

@DTEMP1 = 2-byte temp area

```

DST MUSIC,@SOUND      (Music is a constant of 400 --
                      could be anywhere in RAM)

B01 DST @DTEMP1, RAM(MUSIC+1)
DSRC RAM(MUSIC+1),4
SRL  RAM(MUSIC+1),4
OR   &10000000, RAM(MUSIC+1)
I/O  @SOUND,1         @SOUND = 2-byte area for ADDR
CLR  @TR              @TR = Timing register ( >79)

B02 CZ  @TR
BS   B02
DINC @DTEMP1
DCGE >0200,@DTEMP1    >0200 = Lowest frequency played
BR   B01
DST  #ENDROP,@SOUND   *Turns sound off
I/O  @SOUND, 0
B    $

DROP DATA 3,>00, >00, >92.1
ENDROP DATA 1, >9F, 0

```

A similar routine could be implemented to create a rising sound by storing a low frequency in DTEMP1 to begin with, do a DDEC to DTEMP1 and a compare low with a high frequency value.

CREATES AN EXPLOSION SOUND

```

DST    #EXPL,@SOUND
I/O    @SOUND,0
B      $

```

EXPL DATA 2, >E4, >F2, 5
DATA 2, >E4, >F0, 18
DATA 2, >E4, >F1, 16
DATA 2, >E4, >F2, 14
DATA 2, >E4, >F3, 12
DATA 2, >E4, >F4, 10
DATA 2, >E5, >F5, 9
DATA 2, >E5, >F6, 8
DATA 2, >E5, >F7, 7
DATA 2, >E5, >F8, 6
DATA 2, >E5, >F9, 5
DATA 2, >E6, >FA, 4
DATA 2, >E6, >FB, 3
DATA 2, >E6, >FC, 2
DATA 2, >E6, >FD, 1
DATA 2, >E6, >FE, 1, 1, >FF, 0

APPENDIX D HANDSET/KEYBOARD INTERFACE

As mentioned in Section 4 of this manual, the SCAN instruction is used to poll the state of the handsets and keyboards on the system. The byte KEYBRD in the STATUS BLOCK is used by the SCAN instruction to determine which peripheral device to look at, as well as how to interpret the results.

Presently, the following peripherals are supported by the SCAN instruction:

- 40-KEY KEYBOARD (KEYBRD = 0):

When scanning this keyboard, only the bytes KEY, and the COND bit are affected. The layout of the keyboard and the codes returned by each key are shown in Figures D.1 and D.1.A. If more than one key is depressed at a given time, only one key will be read.

- REMOTE HANDSETS (KEYBRD = 0,1,2,3,4)

See Figures D.2, and D.2.A for keycodes assigned to the Remote Handsets. Note that if KEYBRD = 0, Handsets 1 and 2 are assumed to be adjacent to each other and thus simulate the 40-key keyboard. If KEYBRD = 1,2,3 or 4, the correspondingly numbered handset is scanned; in addition, the joystick is scanned, and each of JOYY and JOYX will get a value returned in them ranging from -7 to +7, depending upon the amount of deviation from the neutral position in the Y and X axes respectively.

- REMOTE KEYBOARD (KEYBRD = 5)

Remote handsets 3 and 4 can be mapped into a 40 key keyboard in the same manner as handsets 1 and 2.

- WIRED HANDSETS (KEYBRD = 1,2):

See Table D.3 for keycodes assigned to this type of handset. The joystick behaves similarly to the remote handsets except that the range of JOYY and JOYX is limited to values of -4,0, or +4. These values were chosen to make the remote and wired joysticks as compatible as possible. Note there is a pushbutton mounted on the joystick. This button is electrically and logically the same as the key corresponding to keycode >C. The console keyboard may be used to simulate two 20-key keypads for the wired handsets. Note that if the joystick pushbutton is depressed, it will always be recognized, as it has the highest priority. The depression of more than 2 keys causes undefined values to be returned.

Since the GPL program is not immediately alerted that the state of a handset has altered, it is necessary to regularly scan the handsets, if input from them is desired. The COND bit in the STATUS byte is set only the first time a given key is found depressed. If the same key is found depressed on successive scans, the successive calls to SCAN reads the keycode properly, but resets the COND bit. Thus in applications like the above, where we wish to recognize fresh keystrokes only, the following code sequence can be used:

```
LOOP1 SCAN
```

```
BR LOOP1
```

The above code causes GPL to loop until a fresh keystroke is seen.

In order to debounce the Fire button a routine must be implemented to make sure it has been lifted before it is detected as being down again. An example of this routine would be:

```
SCANIT    SCAN
          $IF @KEY .EQ. @OLDKEY THEN
          B    SCANIT
          $ELSE
          ST   @KEY, @OLDKEY
          (operate on KEY)
          $END
          B    SCANIT
```

FIGURE D.1

CONSOLE KEYBOARD

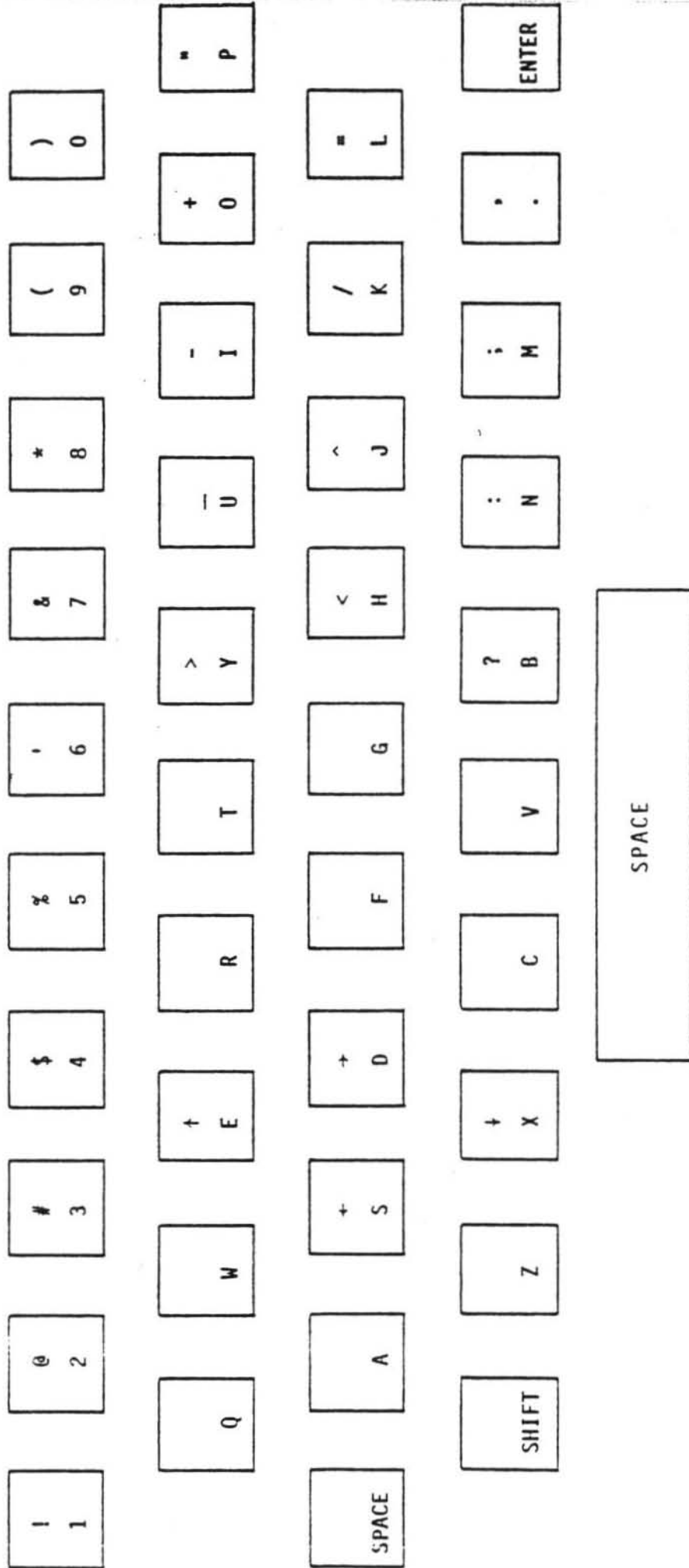


FIGURE D.1.1.A

CONSOLE KEYBOARD HEXDECIMAL-CODE ASSIGNMENTS

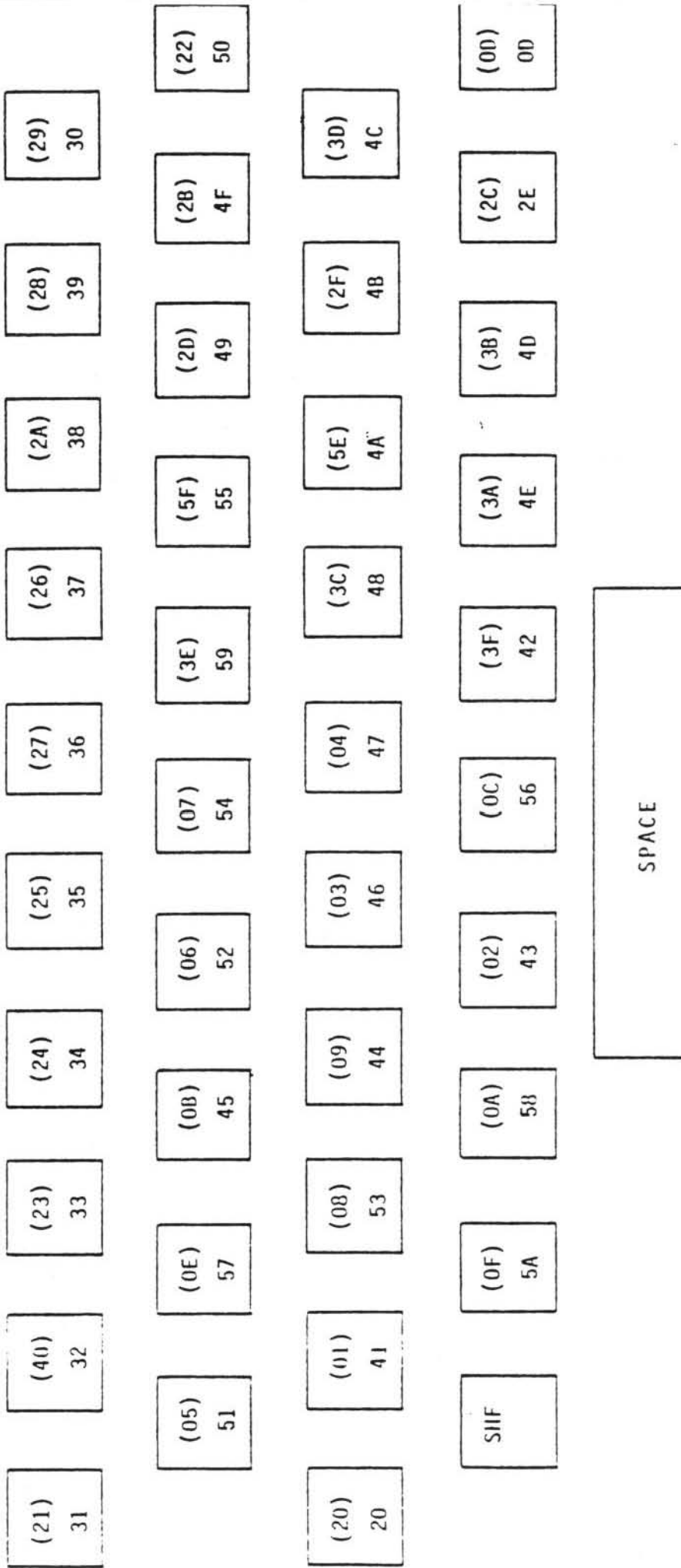
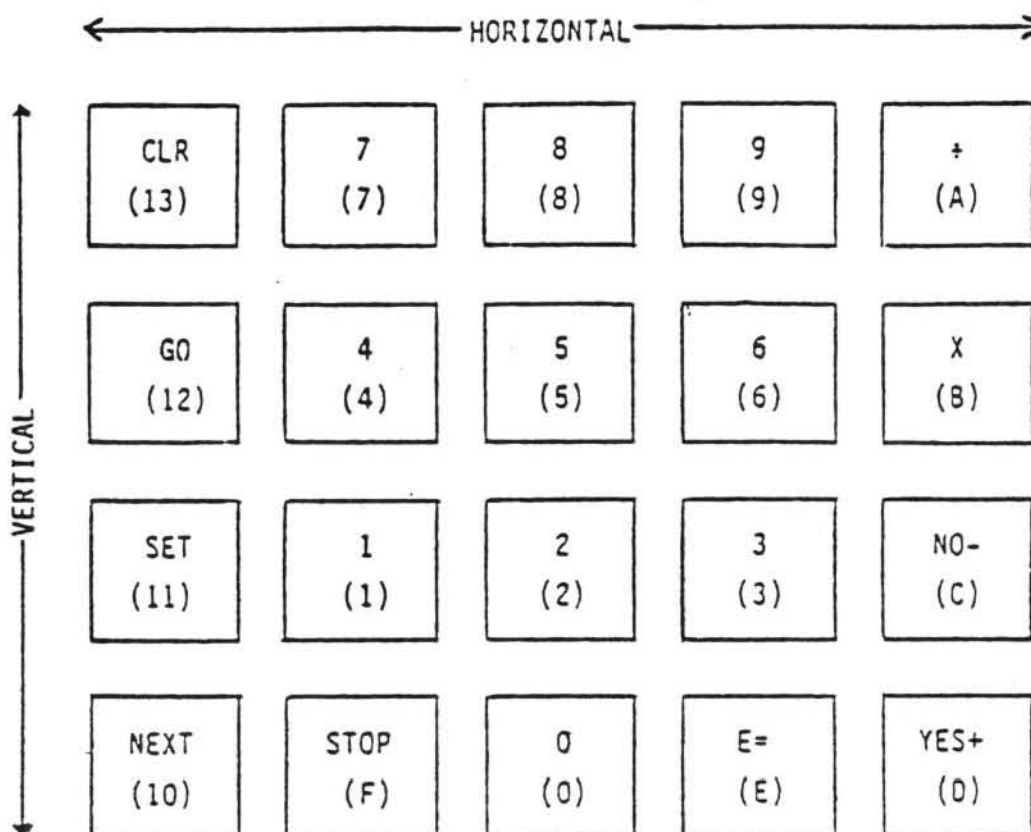


FIGURE D.2

HANDHELD UNIT KEYBOARD



NOTE 1: Hexadecimal numbers in parenthesis correspond to keycodes returned by console system software.

FIGURE D.2.A

CONSOLE KEYBOARD MAPPED AS TWO HANDHELD UNITS

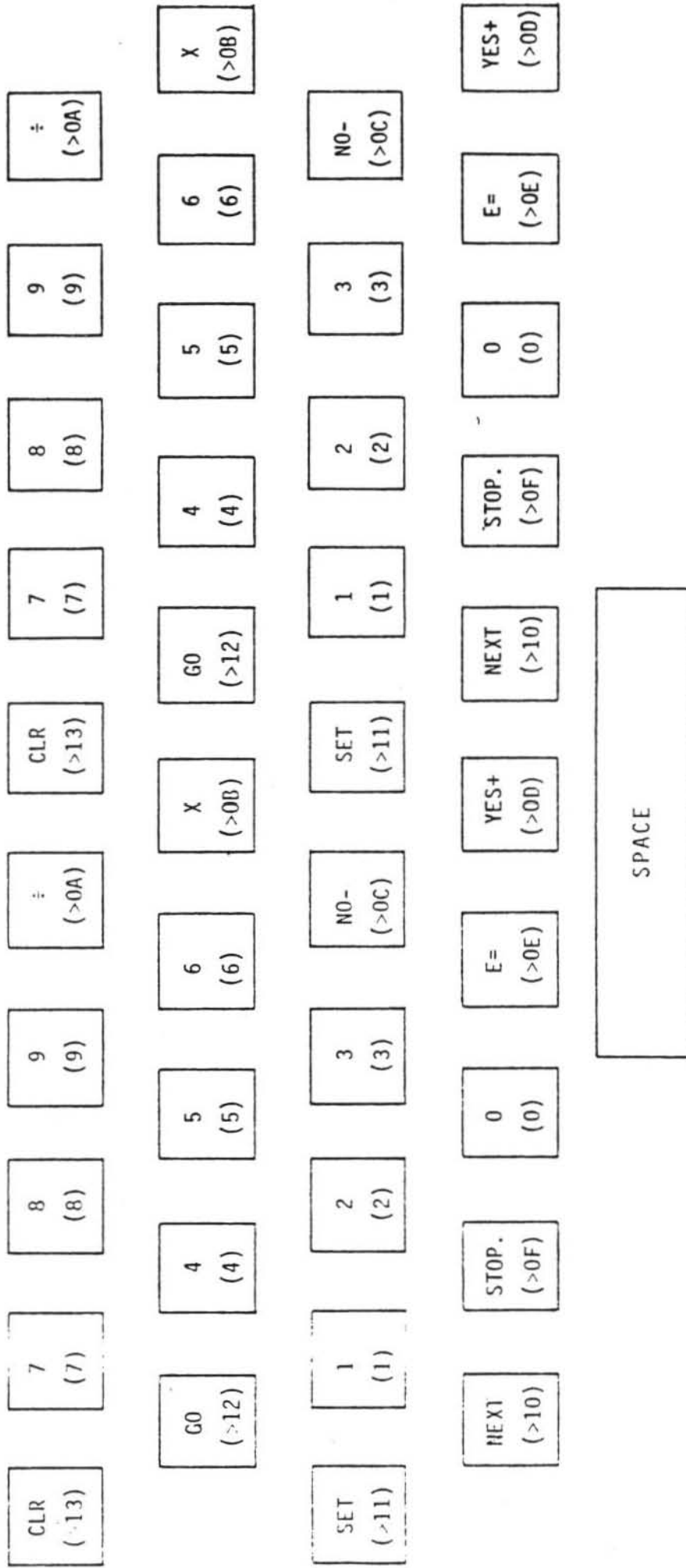


TABLE D.3
JOYSTICK CODES

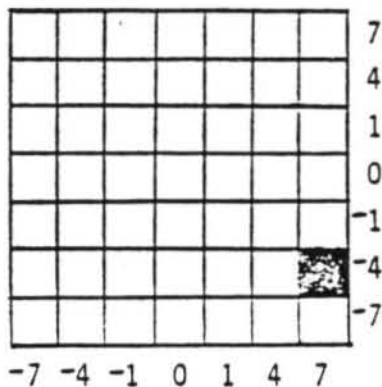
| <u>HEXADECIMAL CODE</u> | <u>POSITION (HORIZONTAL)</u> | <u>Y POSITION (VERTICAL)</u> |
|-------------------------|------------------------------|------------------------------|
| 7 | Full Right | Full Up |
| 4* | Medium Right | Medium Up |
| 1 | Near Right | Near Up |
| 0 | Center Off | Center Off |
| >FF (-1) | Near Left | Near Down |
| >FC* (-4) | Medium Left | Medium Down |
| >F9 (-7) | Full Left | Full Down |
| >F8 | Illegal | Illegal |

*These codes to be returned if joystick has only single bit resolution in any direction.

JOYSTICK CODES

Example

Full Right and Medium Down 7, >FC



APPENDIX E COINCIDENCE DETECTION

The VDP provides a bit in the VDP status register that is set whenever any Sprites are in coincidence with one another (in this instance, coincidence means that they overlap by at least one pixel of foreground). From GPL, this bit is most easily checked by the instruction:

```
CLOG >20,@VSTAT
```

The VDP Status byte in CPU RAM is copied from the VDP Status register every frame interrupt; the third bit is the sprite coincidence bit.

The COINC instruction in GPL allows the user to check for coincidence between any 2 objects. These may be 2 Sprites, a Sprite and another object, or any 2 generalized objects. The strict definition of coincidence can be dictated by a bit table the user must provide in GROM; one might desire coincidence to be true when the objects just touch, or a one dot overlap may be required. Or perhaps coincidence may be true only when object 1 overlaps object 2 exactly.

Coincidence statements must be followed by a one-byte mapping value, plus a 2-byte address pointing to a table in GROM. Mapping = 0 gives the highest resolution coincidence checking, but requires the largest table. Mapping = 1 yields a table of $\frac{1}{4}$ the size; however, coincidence errors of ± 2 pixels are possible. Mapping = 2 yields one-sixteenth the table size but can have errors of ± 4 pixels.

Let an "object type" be a set of identical objects. Then 2 sprites which have identical dot patterns are actually of the

same object type. To detect coincidence between objects of 2 types (may be the same type) a unique table for this type combination is necessary.

Coincidence screening is done on 2 levels. The first, range checking, involves looking at the distance between the objects as well as their individual dimensions (in pixels). If they are out of range, coincidence is terminated by resetting the condition bit and terminating. If in range, a table lookup is used to determine coincidence. The delta-y and delta-x are found; using them as indices, a bit is read from the table. If it is a 1, coincidence is true, and the cond bit is set; otherwise coincidence is false. Remember that a unique table is required for each combination of object types; e.g. for 2 object types, say girls and boys, three tables are required for complete coincidence detection:

- girls : girls
- girls : boys
- boys : boys

Coincidence must always be called with its arguments in the same order that the table was constructed for.

CONSTRUCTING COINCIDENCE TABLES FOR MAPPING = 0

Let V_1 and H_1 be the dimensions of object type 1 in pixels (for irregular objects, these are the dimensions of the circumscribing rectangle). Likewise, let V_2 and H_2 be the vertical and horizontal dimensions of object type 2. Let Y_1, X_1

be the dot position of object type one, and Y_2, X_2 the same for object type 2 (the origin is at the top left of the TV screen; object position is the position of the top left dot of the circumscribing rectangle).

Then let DY be $Y_1 - Y_2$, and DX be $X_1 - X_2$. Then $DX, DY, V_1, H_1, V_2, H_2$, and the object shapes completely specify whether coincidence is true or not. See Figure E.1 (page E-6).

Imagine object 2 fixed in one place on the screen, and object 1 mobile. It is not hard to see that after object 1 is more than H_1 dots to the left of object 2, coincidence is no longer possible. Similarly after it is more than H_2 dots to the right of object 1, coincidence is not possible. Applying the same logic to the vertical axis, we arrive at the rules for the range check:

$$\begin{aligned} & -H_1 \text{ .LE. } DX \text{ .LE. } H_2 \\ & -V_1 \text{ .LE. } DY \text{ .LE. } V_2 ; \end{aligned}$$

After finding DX and DY to be within this range, they are used to compute a unique bit index into the bit table:

$$INDEX = (DX + H_1) + (DY + V_1) * (H_1 + H_2 + 1).$$

The bit table is most easily visualized as seen in Figure E.2 (page E-6). This table is then encoded by bytes; starting at the top left, working to the right, then going to the second row and repeating.

The easiest way to manually construct a bit-table is to draw object 2 on graph paper, letting each square represent a pixel. Then cut out object 1 from another sheet. Starting with object 1 at the top left corner of object 2 (circumscribing

rectangles just touching), move it to the right, generating a 1 or a 0 each movement. An example is shown in Figure E.3 (page E-7). Then repeat the same with object 1 down by one dot. This technique is repeated through the row in which object 1 is just touching the bottom of object 2.

The table in GROM requires a 4 byte header. The exact structure is:

```

      (label)   DATA   (vertical size of table less 1)
                DATA   (horiz.   "   "   "   "   ")
                DATA   (V1)
                DATA   (H1)
                DATA   (bits, grouped in 8's)
  
```

In the example from Figure E.3, we have

```

EXAMP DATA 4
      DATA 5
      DATA 2
      DATA 2
      DATA >73,>FF,>FF,>FF           (2 scrap bits at end);
  
```

HIGHER MAPPING VALUES

By specifying MAPPING values greater than 0, one can make the bit table more compact; however, accuracy of detection suffers. In the case of MAPPING =1, instead of a one-to-one mapping of DX,DY pairs onto bits of the table, 4 combinations of DX,DY all map into one bit. Thus the bit table is smaller, but it is necessary to lose detection resolution.

To construct a table for MAPPING = 1, construct a magnification 0 table first (see Figure E.4 (page E-8); note that the objects are not shown in this example). Then draw 2x2 boxes on the table, starting at the box corresponding to DX=0,1, DY=0,1. A new table is then constructed; each group of 4 pixels in a box are compacted down to one pixel (V_1 and H_1 are half their actual size). Note that:

- small 2x1 boxes on the edges reduce a single bit;
- the single bit should reflect the predominant value of the cluster;
- in the cases of 2 ones and 2 zeros, the user has a choice, depending on if he wants coincidence to predominate.

To make a table of MAPPING =2, do the same process, but make 4x4 boxes on the 2 dimensional table (the first box is at DX = 0,1,2,3, DY = 0,1,2,3). Now V_1 and H_1 are one-fourth their actual size. Note that resolution of coincidence suffers greatly because now we have 16 combinations of DX and DY mapping into one bit.

The concept of MAPPING lends itself well to changing the magnifications of sprites. If a MAPPING = 0 table is designed for two mag 0 sprites, the same table can be used for checking coincidence when mag = 1, by merely calling COINC with MAPPING=1. Remember though that coincidence resolution goes down.

Note that any object can be used in coincidence detection; all that is required is that a Y,X byte pair exists in the VDP RAM for that object. Note also that the object can be purely fictitious as far as the TV screen is concerned.

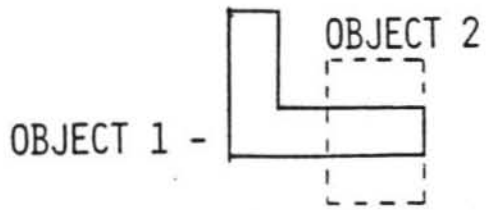
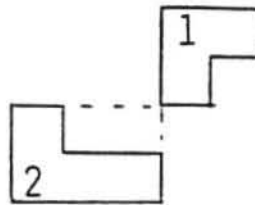
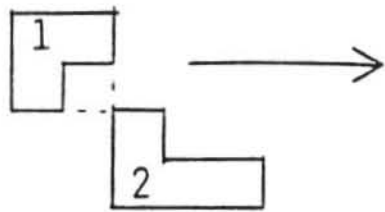


FIGURE E.1

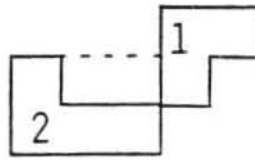
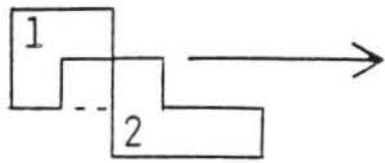
DY=-1
 DX=-2
 V1= 3
 H1= 4
 V2= 3
 H2= 2

| | $-H_1$ | $-H_1+1$ | $-H_1+2$ | | -1 | 0 | $+1$ | | H_2-1 | H_2 | | | |
|----------|--------|----------|----------|---|------|-----|------|---|---------|-------|---|---|---|
| $-V_1$ | 0 | 0 | 1 | 1 | 0 | 1 | 0 | 1 | 1 | 0 | 0 | 1 | 1 |
| $-V_1+1$ | 1 | 1 | 1 | 1 | 1 | 0 | 0 | 0 | 0 | 0 | 0 | 1 | 1 |
| $-V_1+2$ | 1 | 0 | 0 | | | | | | | | | | |
| : | 0 | 0 | | 1 | | | | | | | | | |
| : | 0 | 0 | | | 1 | | | | | | | | |
| -1 | 0 | 0 | | | | 0 | | | | | | | |
| 0 | 0 | 0 | | | | | 1 | | | | | | |
| $+1$ | 0 | 0 | | | | | | 1 | | | | | |
| : | 1 | 0 | | | | | | | 0 | | | | |
| : | 1 | 1 | | | | | | | | 1 | | | |
| V_2-1 | 0 | 1 | | | | | | | | | 1 | | |
| V_2 | 0 | 1 | | | | | | | | | | 0 | |

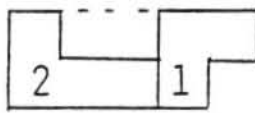
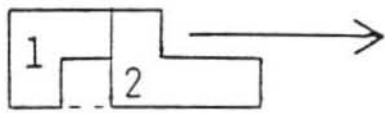
FIGURE E.2



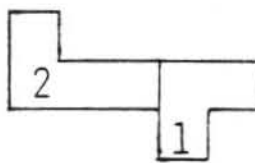
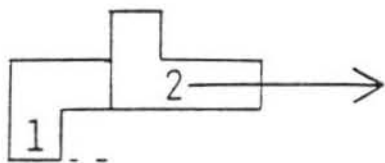
GENERATED 0 1 1 1 0



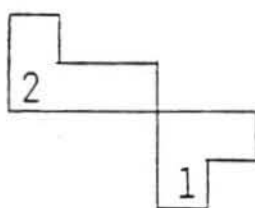
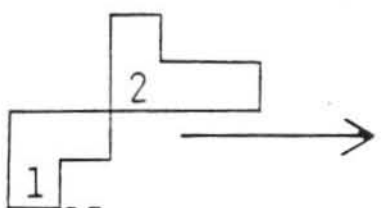
GENERATED 1 1 1 1 1



GENERATED 1 1 1 1 1



GENERATED 1 1 1 1



GENERATED 1 1 1 1 1

FIGURE E.3

DX

| | -2 | -1 | 0 | +1 | +2 | +3 |
|----|----|----|---|----|----|----|
| -2 | 0 | 1 | 1 | 1 | 0 | 0 |
| -1 | 1 | 1 | 1 | 1 | 1 | 1 |
| 0 | 1 | 1 | 1 | 1 | 1 | 1 |
| +1 | 1 | 1 | 1 | 1 | 1 | 1 |
| +2 | 1 | 1 | 1 | 1 | 1 | 1 |

| | -3 | -2 | -1 | 0 | 1 | 2 | 3 | 4 | 5 | |
|----|----|----|----|---|---|---|---|---|---|---|
| -6 | 0 | 0 | 1 | 1 | 0 | 1 | 0 | 1 | 1 | 0 |
| -5 | 0 | 1 | 1 | 1 | 0 | 1 | 1 | 0 | 0 | 1 |
| -4 | 0 | 0 | 1 | 1 | 1 | 0 | 0 | 0 | 0 | 0 |
| -3 | 1 | 0 | 1 | 1 | 1 | 1 | 0 | 1 | 1 | 1 |
| -2 | 1 | 1 | 1 | 1 | 1 | 0 | 1 | 1 | 1 | 1 |
| -1 | 1 | 1 | 1 | 0 | 1 | 0 | 1 | 1 | 1 | 1 |
| 0 | 0 | 1 | 0 | 0 | 1 | 0 | 1 | 1 | 1 | 1 |
| 1 | 1 | 0 | 0 | 1 | 1 | 1 | 1 | 1 | 1 | 1 |
| 2 | 0 | 0 | 0 | 0 | 0 | 1 | 1 | 1 | 1 | 0 |
| 3 | 1 | 0 | 1 | 1 | 1 | 1 | 1 | 1 | 0 | 1 |



| | | | | | |
|---|---|---|---|---|---|
| 0 | 1 | 1 | 1 | 1 | 1 |
| 1 | 1 | 1 | 0 | 1 | 1 |
| 1 | 1 | 1 | 1 | 1 | 1 |
| 1 | 0 | 1 | 1 | 1 | 1 |
| 1 | 0 | 1 | 1 | 1 | 1 |



FIGURE E.4

TABLE: DATA 4
 DATA 5
 DATA 6
 DATA 3
 DATA >7F, >BF,
 >EF, >BC

APPENDIX F I/O INSTRUCTION

The I/O instruction is used to control a variety of input-output devices including cassettes, speech, sound, and CRU.

The format of the I/O instruction is:

I/O GS, IMM

where

GS is the address of a list whose format depends on the value of IMM.

IMM specifies the type of input-output. Currently supported values of IMM are:

- 0 = Sound in GROM
- 1 = Sound in VDP RAM
- 2 = CRU input
- 3 = CRU output
- 4 = Cassette write
- 5 = Cassette read
- 6 = Cassette verify

The format of the list specified by GS for sound I/O instructions is given in Appendix C.

The format of the lists for CRU output is the same. GS points to a 4 byte block in CPU RAM. The format of the block is:

bytes 0 and 1 - CRU base address. The interpreter will double this for you since the 9901 ignores the least significant bit of the base register.

byte 2 - The number of bits to input or output (1-16)

byte 3 - A pointer to a one or two byte area in CPU RAM to write from or read to. If the number of bits to read or write is greater than 8 then this address must be even.

The CRU data to be written should be right justified in the byte or word. The least significant bit will output to or input from the CRU address specified by the CRU base address. Subsequent bits will come from or go to sequentially higher CRU addresses. If the CRU input reads less than 8 bits, the unused bits in the byte are reset to zero. If the CRU input reads less than 16 but more than 8 bits, the unused bits in the word will be reset to zero.

The three different cassette I/O instructions use the same list format. This list must be in CPU RAM.

bytes 0, 1 - are the length of the data transfer (or the number of bytes to verify). This length is rounded up to the nearest multiple of 64.

bytes 2, 3 - are the source or destination address in VDP RAM or the address of the bytes to verify the tape.

The read and write instructions physically perform I/O to the cassette. The verify instruction will read a tape and compare it, byte for byte, against what is in the specified VDP RAM area. It will set the status in CPU RAM location 7C if any differences are detected.

The I/O instructions for cassette will not generally be used by the application programs. There is a cassette program written in GPL that should be used by the application programs. This program will uniformly request the user to perform certain manual operations necessary to the operation of the cassette. This cassette program is described in Appendix I.

APPENDIX G TEXT AND MULTICOLOR MODE

When the Text Mode bit (bit 4) in VDP register #1 is set, 40-character mode is selected. The screen is 40 x 24 characters with each character being 6 x 8 dots. The Pattern Name Table is now 960 bytes long and is in locations 0 - 3BF in VDP RAM. Each byte in the Pattern Name Table corresponds to a pattern position on the screen (0 - 27, first row; 28 - 4F, second row; etc.). The pattern numbers are still 0 - 255, corresponding to VDP 800 - FFF, but in text mode the last 2 bits of each byte in the patterns are ignored, making the 6 x 8 dot patterns. The only means of changing the screen in text mode is to write the pattern numbers to the Pattern Name Table position. There is not a color table to use with text mode. The only way to give color to the patterns is by loading VDP (7) with the foreground/background combination desired.

When the MCMD bit (bit 3) in VDP register #1 is set, the multicolor mode is selected. Each 8 x 8 dot pattern on the screen is now divided into four quadrants (4 x 4 dots each). Each quadrant must be given a nybble assignment in the pattern generator block before you can use multicolor mode correctly. The nybbles used in the pattern generator block are from RAM 800 thru DFF. The nybble assignments are made with a format statement as follows:

HOME

```
FMT 4(' >00, >01, >02... >IF'), 4(' >20, >21, >22... >3F'),  
4(' >40, >41, >42... >5F'), 4(' >60, >61, >62... >7F'),  
4(' >80, >81, >82... >9F') 4(' >A0, >A1, >A2... >BF')
```


This format statement puts 24 rows of 32 characters in the Pattern Name Table (VDP RAM >0 - >2FF), but it puts 48 rows of 64 blocks on the screen (each byte in the PNT corresponds to a 2 x 2 block of 4 x 4 dots on the screen) VDP RAM locations 0, >20, >40, and >60 all have the value 0, but RAM (0) uses the nybbles at >800 and >801; RAM (>20) uses the nybbles at >802 and 803; RAM (>40) uses the nybbles and >804 and >805; RAM (>60) uses the nybbles at >806 and >807.

The value in each byte of the PNT is the number of the character in the Pattern Generator. Although each character in the Pattern Generator consists of 8 bytes, the system has a pointer for each byte in the PNT which tells it which two bytes of that character it uses to color the quadrants. The nybbles in these two bytes are used as follows:

- The first byte's MSN describes the upper left quadrant's color
- The first byte's LSN describes the upper right quadrant's color
- The second byte's MSN describes the lower left quadrant's color.
- The second byte's LSN describes the lower right quadrant's color.

Figure G.1 shows the ranges of XPT and YPT and the VDP nybble assignments. As you can see from this drawing there is a type of indexing of the bytes in an 8-byte pattern generator block which corresponds to YPT. For example:

Index into Pattern Generator

YPT Values

| | |
|---|-----------------------|
| 0 | 0, 8, 16, 24, 32, 40 |
| 1 | 1, 9, 17, 25, 33, 41 |
| 2 | 2, 10, 18, 26, 34, 42 |
| 3 | 3, 11, 19, 27, 35, 43 |
| 4 | 4, 12, 20, 28, 36, 44 |
| 5 | 5, 13, 21, 29, 37, 45 |
| 6 | 6, 14, 22, 30, 38, 46 |
| 7 | 7, 15, 23, 31, 39, 47 |

When XPT is even, then MSN of each byte is used; and when XPT is odd, the LSN of each byte is used.

After the screen has been initialized with the format statement as described above, bit 1 of CPU RAM location >FD must be set. Once this bit is set, you cannot use format statements to change the screen. All changes to the screen must be done by setting XPT and YPT to specific values and storing the color you wish for that block in the character buffer (CB = CPU RAM 7D). For example, the instructions:

```
ST 37,@XPT
ST 13,@YPT
ST 4,@CB
```

would put a 4 x 4 dot block of color 'blue 2' at the specified place on the screen and also put a 4 in the right nybble of VDP RAM (>995). A store in CB does not affect the PNT since the values from the initial format statement are the only ones which allow MCMD to work correctly.

The ALL instruction may be used in this mode to change the screen. For example:

ALL >24

will look at VDP RAM (>920->927) and fill the screen with these colors in 2 x 8 blocks of 4 x 4 dots. It will also store >24 in VDP RAM (0->2FF). Since the ALL instruction changes the values in the PNT, before successful use of MCMD can be made, the programmer must reset bit 1 of CPU RAM location >FD and re-initialize the screen with the format statement above. Then set bit 1 at location >FD and proceed as above with a store to CB of a color.

MULTI-CO'OR MODE

XPT

| | | | | | | | | | | | | | | | | | | | | | | | | | | | | | | | | | | | | | | | | | | | | | | | | | | | |
|-----|-----|-----|-----|-----|-----|-----|-----|-----|-----|-----|-----|-----|-----|-----|-----|-----|-----|-----|-----|-----|-----|-----|-----|-----|-----|-----|-----|-----|-----|-----|-----|-----|-----|-----|-----|-----|-----|-----|-----|-----|-----|-----|-----|-----|-----|-----|-----|-----|-----|-----|-----|
| 0 | 1 | 2 | 3 | 4 | 5 | 6 | 7 | 8 | 9 | 10 | 11 | 12 | 13 | 14 | 15 | 16 | 17 | 18 | 19 | 20 | 21 | 22 | 23 | 24 | 25 | 26 | 27 | 28 | 29 | 30 | 31 | 32 | 33 | 34 | 35 | 36 | 37 | 38 | 39 | 40 | 41 | 42 | 43 | 44 | 45 | 46 | 47 | | | | |
| 800 | 801 | 802 | 803 | 804 | 805 | 806 | 807 | 808 | 809 | 810 | 811 | 812 | 813 | 814 | 815 | 816 | 817 | 818 | 819 | 820 | 821 | 822 | 823 | 824 | 825 | 826 | 827 | 828 | 829 | 830 | 831 | 832 | 833 | 834 | 835 | 836 | 837 | 838 | 839 | 840 | 841 | 842 | 843 | 844 | 845 | 846 | 847 | | | | |
| 848 | 849 | 850 | 851 | 852 | 853 | 854 | 855 | 856 | 857 | 858 | 859 | 860 | 861 | 862 | 863 | 864 | 865 | 866 | 867 | 868 | 869 | 870 | 871 | 872 | 873 | 874 | 875 | 876 | 877 | 878 | 879 | 880 | 881 | 882 | 883 | 884 | 885 | 886 | 887 | 888 | 889 | 890 | 891 | 892 | 893 | 894 | 895 | 896 | 897 | | |
| 898 | 899 | 900 | 901 | 902 | 903 | 904 | 905 | 906 | 907 | 908 | 909 | 910 | 911 | 912 | 913 | 914 | 915 | 916 | 917 | 918 | 919 | 920 | 921 | 922 | 923 | 924 | 925 | 926 | 927 | 928 | 929 | 930 | 931 | 932 | 933 | 934 | 935 | 936 | 937 | 938 | 939 | 940 | 941 | 942 | 943 | 944 | 945 | 946 | 947 | | |
| 948 | 949 | 950 | 951 | 952 | 953 | 954 | 955 | 956 | 957 | 958 | 959 | 960 | 961 | 962 | 963 | 964 | 965 | 966 | 967 | 968 | 969 | 970 | 971 | 972 | 973 | 974 | 975 | 976 | 977 | 978 | 979 | 980 | 981 | 982 | 983 | 984 | 985 | 986 | 987 | 988 | 989 | 990 | 991 | 992 | 993 | 994 | 995 | 996 | 997 | 998 | 999 |

16363
 16364
 16365
 16366
 16367
 16368
 16369
 16370
 16371
 16372
 16373
 16374
 16375
 16376
 16377
 16378
 16379
 16380
 16381
 16382
 16383
 16384
 16385
 16386
 16387
 16388
 16389
 16390
 16391
 16392
 16393
 16394
 16395
 16396
 16397
 16398
 16399
 16400

13 14 15 16 17 18 19 20 21 22 23 24 25 26 27 28 29 30 31 32 33 34 35 36 37 38 39 40 41 42 43 44 45 46 47 48 49 50 51 52 53 54 55 56 57 58 59 60 61 62 63 64 65 66 67 68 69 70 71 72 73 74 75 76 77 78 79 80 81 82 83 84 85 86 87 88 89 90 91 92 93 94 95 96 97 98 99 100 101 102 103 104 105 106 107 108 109 110 111 112 113 114 115 116 117 118 119 120 121 122 123 124 125 126 127 128 129 130 131 132 133 134 135 136 137 138 139 140 141 142 143 144 145 146 147 148 149 150 151 152 153 154 155 156 157 158 159 160 161 162 163 164 165 166 167 168 169 170 171 172 173 174 175 176 177 178 179 180 181 182 183 184 185 186 187 188 189 190 191 192 193 194 195 196 197 198 199 200 201 202 203 204 205 206 207 208 209 210 211 212 213 214 215 216 217 218 219 220 221 222 223 224 225 226 227 228 229 230 231 232 233 234 235 236 237 238 239 240 241 242 243 244 245 246 247 248 249 250 251 252 253 254 255 256 257 258 259 260 261 262 263 264 265 266 267 268 269 270 271 272 273 274 275 276 277 278 279 280 281 282 283 284 285 286 287 288 289 290 291 292 293 294 295 296 297 298 299 300 301 302 303 304 305 306 307 308 309 310 311 312 313 314 315 316 317 318 319 320 321 322 323 324 325 326 327 328 329 330 331 332 333 334 335 336 337 338 339 340 341 342 343 344 345 346 347 348 349 350 351 352 353 354 355 356 357 358 359 360 361 362 363 364 365 366 367 368 369 370 371 372 373 374 375 376 377 378 379 380 381 382 383 384 385 386 387 388 389 390 391 392 393 394 395 396 397 398 399 400 401 402 403 404 405 406 407 408 409 410 411 412 413 414 415 416 417 418 419 420 421 422 423 424 425 426 427 428 429 430 431 432 433 434 435 436 437 438 439 440 441 442 443 444 445 446 447 448 449 450 451 452 453 454 455 456 457 458 459 460 461 462 463 464 465 466 467 468 469 470 471 472 473 474 475 476 477 478 479 480 481 482 483 484 485 486 487 488 489 490 491 492 493 494 495 496 497 498 499 500 501 502 503 504 505 506 507 508 509 510 511 512 513 514 515 516 517 518 519 520 521 522 523 524 525 526 527 528 529 530 531 532 533 534 535 536 537 538 539 540 541 542 543 544 545 546 547 548 549 550 551 552 553 554 555 556 557 558 559 560 561 562 563 564 565 566 567 568 569 570 571 572 573 574 575 576 577 578 579 580 581 582 583 584 585 586 587 588 589 590 591 592 593 594 595 596 597 598 599 600 601 602 603 604 605 606 607 608 609 610 611 612 613 614 615 616 617 618 619 620 621 622 623 624 625 626 627 628 629 630 631 632 633 634 635 636 637 638 639 640 641 642 643 644 645 646 647 648 649 650 651 652 653 654 655 656 657 658 659 660 661 662 663 664 665 666 667 668 669 670 671 672 673 674 675 676 677 678 679 680 681 682 683 684 685 686 687 688 689 690 691 692 693 694 695 696 697 698 699 700 701 702 703 704 705 706 707 708 709 710 711 712 713 714 715 716 717 718 719 720 721 722 723 724 725 726 727 728 729 730 731 732 733 734 735 736 737 738 739 740 741 742 743 744 745 746 747 748 749 750 751 752 753 754 755 756 757 758 759 760 761 762 763 764 765 766 767 768 769 770 771 772 773 774 775 776 777 778 779 780 781 782 783 784 785 786 787 788 789 790 791 792 793 794 795 796 797 798 799 800 801 802 803 804 805 806 807 808 809 810 811 812 813 814 815 816 817 818 819 820 821 822 823 824 825 826 827 828 829 830 831 832 833 834 835 836 837 838 839 840 841 842 843 844 845 846 847 848 849 850 851 852 853 854 855 856 857 858 859 860 861 862 863 864 865 866 867 868 869 870 871 872 873 874 875 876 877 878 879 880 881 882 883 884 885 886 887 888 889 890 891 892 893 894 895 896 897 898 899 900 901 902 903 904 905 906 907 908 909 910 911 912 913 914 915 916 917 918 919 920 921 922 923 924 925 926 927 928 929 930 931 932 933 934 935 936 937 938 939 940 941 942 943 944 945 946 947 948 949 950 951 952 953 954 955 956 957 958 959 960 961 962 963 964 965 966 967 968 969 970 971 972 973 974 975 976 977 978 979 980 981 982 983 984 985 986 987 988 989 990 991 992 993 994 995 996 997 998 999 1000

APPENDIX H DEVICE I/O

Each GROM or ROM that contains programs that may be accessed by programs outside of that ROM or GROM need a header. There are 6 types of programs currently defined. They are power up, user application, device service, subroutine links, BASIC subprogram libraries, and interrupt service programs. Every type of program except user application programs, BASIC subprogram libraries, and interrupt service routines can be in either ROM or GROM. User application programs and BASIC subprogram libraries can only be in GROM. For every type of program in a GROM or ROM, there is a chained list of program headers. The first program header of each type is pointed to by an entry in the GROM/ROM header. GROM/ROM headers must be located at the beginning of a GROM or ROM. Program headers can be located anywhere. Within a multi-GROM package the GROM headers and program headers may be in the same or different GROMs. Table H.1 shows a GROM/ROM header and Table H.2 shows a program header.

MONITOR FUNCTIONS

1. SYSTEM INITIALIZATION

The monitor will start every application program with all of RAM in a defined state. CPU RAM will be zeroed except for >70 through >81. Location >70, >71 contains the highest address in VDP RAM. Location >72 will contain >9F and is the data stack pointer. Location >73 (the subroutine stack pointer) is initialized to >7E. Location >74 is zero. The other locations (>75 to >81) have undefined values.

TABLE H.1
GROM HEADER

| <u>LOCATION</u> | <u>SIZE</u> | <u>CONTENTS</u> |
|-----------------|---------------|---|
| X000 | byte | >AA valid identification |
| X001 | byte | version number |
| X002 | byte | number of program |
| X003 | byte | reserved |
| X004 | word(2 bytes) | address of first power up routine header |
| X006 | word | address of first user program header |
| X008 | word | address of first DSR header |
| X00A | word | address of first subroutine link header |
| X00C | word | address of first interrupt link |
| X00E | word | address of first BASIC subprogram libraries |

The address of any program types should be 0 in the GROM/ROM header if there are no programs of that type. The number of programs and version number are not currently being used but should be used for future expansion.

TABLE H.2
PROGRAM HEADER

| <u>SIZE</u> | <u>CONTENTS</u> |
|-------------|--|
| word | pointer of next program header of the same program type (0 if end of list) |
| word | entry address of program |
| byte | number of characters in program name (N) |
| N. bytes | ASCII character representation of program name |

VDP RAM will have the 6 X 8 character set loaded. The VDP registers will be set for the standard locations (see Table 3.4, page 3-14). The screen will be blanked and the color table will contain all >17. All the rest of VDP RAM will be zeroes.

2 POWER-UP ROUTINES

The monitor initializes the system by calling power-up routines. The console power-up routine executes first. This routine puts up the initial screen and menu and calls the selected program. Next, the monitor searches peripheral ROM and GROM headers for power-up routine addresses and executes them as it finds them. After each power-up routine is executed, a search is made for the next one. When there are no more power-up routines found, the selected program is started with the system initialized as described in Section 1.

Each ROM power-up can use R0 - R10, but cannot use >55 and >6D in CPU RAM. R12 will be set up with the proper CRU address to address the attached peripheral's CRU. The ROM power-up routine should end with a B *R11 to return to the system.

GROM power-up routines are called from GPL. They can be located in any slot of the library peripheral. They may not use subroutine links or call DSR's. The return is accomplished by moving 2 bytes from the data stack to the subroutine stack, decrementing the data stack pointer by 2, and then doing a return instruction.

Power-up routines can use CPU RAM >4 to >71 for whatever they need. They may also use all of VDP RAM. They must not

change the data or subroutine stack pointers upon return to the monitor.

3. GENERAL SUBROUTINES PROVIDED BY THE MONITOR

The monitor provides a group of subroutines that are of general use in many applications. These include mathematical functions, character sets, certain sounds, and application exit. The mathematical functions are described in Appendix K.

There are two routines to load VDP RAM with either a 6 x 8 or 5 x 6 character set. They are called by:

```
CHR1  EQU  >16
        CALL  CHR1      (6 x 8 characters)
CHR2  EQU  >18
        CALL  CHR2      (5 x 6 characters)
```

When they are called, CPU RAM location FAC should be pointing to the VDP RAM location of the first character (space).

There are two routines that give positive and negative acknowledge tones. These are used primarily for acknowledging good and invalid key pushes. The two routines are called by:

```
TON1  EQU  >34
        CALL  TON1      (positive acknowledge)
TON2  EQU  >36
        CALL  TON2      (negative acknowledge)
```

EXIT - RETURN TO MONITOR

An application program may exit and return to the monitor by:

```
EXIT
```


This instruction causes a software reset of the system. All power-up routines are executed and the initial screen displayed. This should not be confused with a hardware reset.

BIT REVERSAL ROUTINE >3B

Purpose: Provide a quick way to form mirror image bytes in VDP RAM

Input: FAC address of data in VDP (CPU RAM location >4A)
FAC+2 number of bytes to reverse

Call: BITRVR EQU >3B
CALL BITRVR

Output: Every byte in VDP RAM from the first address pointed to by FAC to the byte pointed to by the address + numbers of bytes in FAC+2 is bit reversed. This means bits 0 and 7 are exchanged, bits 1 and 6 are exchanged, bits 2 and 5 are exchanged, and bits 3 and 4 are exchanged to give a mirror image of the byte.

Exceptions: None

Side Effects: CPU RAM from >00 to >40 will be destroyed.

WRITING I/O ROUTINES

1. SUBROUTINE AND DSR CALLS

Subroutines and DSR's may be called through the monitor. The monitor is passed the name of the routine in VDP RAM. The name location in VDP RAM is pointed to by a 2-byte value in CPU RAM >56. The VDP locations contain a one-byte count of the number of characters in the name followed by the ASCII representation of the name with a "." (period) and some more characters. This may be repeated any number of times. The routine name the monitor uses consists of the string up to the first period, if any. The routine itself is called by

```
CALL LINK LINK EQU >10
DATA BYTE
```

where byte is 8 for a DSR and > A for a subroutine link. The subroutine or DSR should return by

```
CALL RETN EQU >12
```

If the routine is in ROM, R1 will contain a version number starting with 1. Every time a routine is found with the right name, R1 is incremented. This enables a routine to determine its position relative to other routines of the same name. If the version number is wrong, the routine should B *R11 without changing any registers. If the routine is executed, it should return by incrementing R11 by 2, and branching indirect on R11. Registers R0 - R10 can be used, as well as CPU RAM locations 4A thru 6D. R11 has the return address for ROM code and R12 will be pointing to the peripheral CRU space.

For GROM programs, the subroutine or DSR may reside in another library peripheral slot. The subroutine or DSR calls may be nested. Each GROM subroutine or DSR call takes 4 bytes of subroutine stack. ROM subroutines and DSR's called through the monitor may not be nested.

2. INTERRUPT ROUTINES

Interrupt routines may only be in peripheral ROM. Interrupt routines may not use R9 or the subroutine stack. R8 must be cleared before returning if the interrupt uses it. Every interrupt that is not recognized as being a console interrupt causes the interpreter to execute every interrupt service routine that it can find in a peripheral ROM. These routines may use R1-R8 and R10. R11 has the return address and R12 must be returned with the same value. If the DSR enables the interrupt, it should wait for all processing to be complete before disabling the interrupt and returning to the application program.

Because of the execution of an interrupt routine only as part of a DSR, the DSR and interrupt routine can split the allocation of CPU RAM from >4A to >6D. Interrupt routines that service interrupts in any other way may only use R1-R10. All interrupt routines end by a RT instruction.

APPENDIX I CASSETTE DSR

DEFINITION

A file consists of a collection of data groupings called logical records. This division of the file into logical records does not necessarily correspond to the physical division of data on the medium (like a block on a disk). Thus, there are two types of records:

- Logical records - the data grouping of a file as seen by the BASIC interpreter or other application programs.
- Physical records - the buffers physically transferred between memory and medium.

File I/O from a program is done on a logical record basis. The manipulation of physical records is done by the DSR.

All cassette files are sequential and allow variable length logical records. When a file is created, the logical record size must be specified. For sequential files the specification is optional. If specified, the logical record size is used as an upper limit for any logical record size of that file.

The physical record size for any medium is specified within the DSR and is implementation dependent.

PATTERN NAME TABLE

When the cassette DSR is used, the PATTERN NAME TABLE must be located at address 0 in VDP RAM.

MODE OF OPERATION

A file is opened for a specific mode of operation, specified in the OPEN I/O call. The three modes of operation are:

- INPUT - the contents of the file may be read, but they may not be altered.
- OUTPUT - the file is being created. It's contents may be written but not read.
- APPEND - new data may be added at the end of the file, but the contents of the file may not be read.

This is the same on the cassette as output mode.

Each DSR decides whether or not a specific mode for an I/O operation can be accepted by the corresponding device.

IMPLEMENTATION

As mentioned, the DSR's should present a uniform interface between the File Management System and the peripherals. This section will give implementation details on this interface.

PERIPHERAL ACCESS BLOCK DEFINITION

All DSR's are accessed through a so called Peripheral Access Block (PAB). The definition for these PAB's is the same for every peripheral. The only difference between peripherals is that some peripherals will not support every option provided for in the PAB.

All PAB's are physically located in VDP RAM. They are created before the OPEN call, and are not to be released until the I/O has been closed for that device or file.

Figure I.1 (page I-6) shows the layout of a PAB. The PAB has a variable length, depending upon the length of the file descriptor.

The meaning of the bytes and bits within the PAB is:

| <u>BYTE</u> | <u>BIT</u> | <u>MEANING</u> |
|-------------|------------|--|
| 0 | - | I/O opcode - contains opcode for the current I/O-call. See Table I.2 for available opcodes. |
| 1 | - | Flagbyte/status - all the information the system needs about file-type, mode of operation, and data-type, is stored in this byte. The meaning of the bits within this flagbyte is (bit 7 is most significant bit, bit 0 is least significant bit). |
| | 0 | Filetype - indicated file-type 0 = Sequential file 1 = Relative record file (Cassettes are always sequential.) |
| | 1-2 | Mode of operation - indicates operation mode file has been opened for: 00 = UPDATE 01 = OUTPUT 10 = INPUT 11 = APPEND Cassette DSR does not support update or append. |

| <u>BYTE</u> | <u>BIT</u> | <u>MEANING</u> |
|-------------|------------|---|
| | 3 | Datatype - indicates type of data stored in the file. DISPLAY type data comprises standard ASCII data. INTERNAL type data is implementation dependent. 0 = DISPLAY 1 = INTERNAL |
| | 4 | Recordtype - indicates type of record used. 0 = Fixed length records 1 = Variable length records |
| | 5-7 | Errorcode - these three bits indicate, in combination with the I/O opcode, the error type that has occurred (0 = no error). |
| 2-3 | - | Data buffer address - address of the data buffer the data has to be written to or read from. The buffer is always in VDP RAM. |
| 4 | - | Logical record length - indicates the logical record length for fixed length records, or the maximum length for a variable length record (see flagbyte). It is rounded up to the next highest multiple of 64. |
| 5 | - | Character count - number of characters to be transferred in write mode, or the number of bytes actually read in read mode. It is used by the cassette DSR only for reads and writes. |

| <u>BYTE</u> | <u>BIT</u> | <u>MEANING</u> |
|-------------|------------|---|
| 6-7 | - | For cassettes, the record number is used for the number of bytes to load or save. This number must be larger than the number of bytes on the cassette record. This number is rounded up to the nearest multiple of 64 by the cassette DSR. |
| 8 | - | Screen offset - offset of the screen characters in respect to their normal ASCII value. This is used if your characters are not at the default positions in VDP RAM. It enables the cassette DSR to use your character set for messages. The cassette DSR messages look best using the small character set. |
| 9 | - | Name length - length of the file descriptor following the PAB. |
| 10+ | - | File descriptor - devicename. The length of this descriptor is given in byte 9. There are two valid names for cassettes: CS1 - cassette unit 1 CS2 - cassette unit 2 |

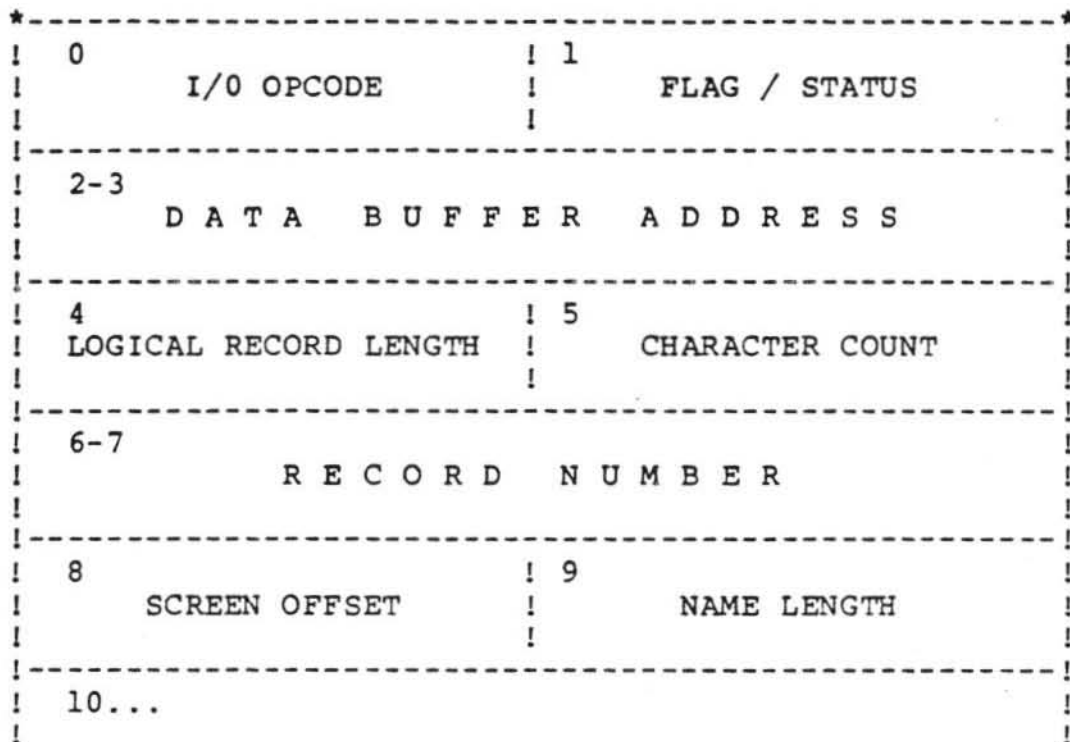


FIGURE I.1 PAB LAYOUT

I/O OPCODES

This section describes the valid opcodes that can be used in the PAB. These valid opcodes are shown in Table I.2 (page I-6)

The following section will describe the general actions caused by an I/O-call with each of the I/O-opcodes. Each I/O-call returns any error-codes in the FLAG/STATUS byte of the PAB.

| <u>OPCODE</u> | <u>MEANING</u> |
|---------------|---|
| 00 | OPEN |
| 01 | CLOSE |
| 02 | READ |
| 03 | WRITE |
| 04 | RESTORE/REWIND (not supported) |
| 05 | LOAD |
| 06 | SAVE |
| 07 | DELETE FILE - NO OPERATION FOR CASSETTE |
| 08 | SCRATCH RECORD - NO OPERATION FOR CASSETTE |
| 09 | END OF FILE TEST (not supported) |

TABLE I.2 I/O OPCODES

Open

The OPEN operation should be performed before any data transfer operation. The file remains open until a CLOSE operation is performed. The mode of operation for which the file has to be OPENed should be indicated in the flag byte of the PAB. In case this mode is OUTPUT, APPEND or INPUT, the record length (64) is returned in byte 4.

An OPEN operation must be performed before any other operation except LOAD or SAVE. Consistent use of OPEN and CLOSE is recommended for all files and devices; however, neither the OPEN nor the CLOSE operation is required for devices.

Close

The CLOSE operation informs the DSR that the current I/O sequence to that DSR has been completed.

After the CLOSE operation, the PAB is no longer needed, so it can be released. As long as no CLOSE operation is performed on an active PAB, this PAB has to be preserved.

Read

The READ operation reads a record from the selected device and stores the bytes in the specified buffer. The buffer address is specified in PAB entry 2 and 3, and the buffer size is specified in PAB entry 4. If the length of the input record exceeds the buffer size, the record is not read and an error is returned.

Write

The WRITE operation writes a record to the specified device from the buffer specified in the PAB. The number of bytes to be written is specified in byte 5 of the PAB.

Restore/Rewind

The RESTORE/REWIND operation repositions the file read pointer to the beginning of the file.

A RESTORE can only be used if the file is opened for INPUT mode. RESTORE itself does not perform any READ operation.

Load

The LOAD operation loads an entire program from an external device or file into program memory. All the control information for BASIC is contained in the load file. Since all information is directly written to program memory without intermediate buffering, no buffer memory needs to be assigned.

The LOAD operation is a stand alone operation, i.e., the LOAD operation can be used without previous OPEN operation.

For the LOAD operation, the PAB needs to contain the following information:

Bytes 2 and 3 should contain the start address of the program memory.

Bytes 6 and 7 should contain the maximum number of bytes available for the program.

Aside from the I/O opcode and the file descriptor, no more information is required for the LOAD operation.

Save

SAVE is the complementary operation for LOAD. Instead of loading a program from a device or file, it writes a program from program memory to a device or file. Again, only a small part of the PAB is used. Aside from the usual information (I/O opcode and file descriptor), the PAB should contain the start address of the program to be SAVED in bytes 2 and 3, and the number of bytes to be SAVED in bytes 6 and 7.

BASIC automatically saves all the control information necessary for reloading of the program, together with the program code.

Delete

The DELETE operation deletes the specified file from the specified device. This operation also CLOSES the I/O sequence. The DELETE operation can only be used in UPDATE, APPEND or OUTPUT mode. (No operation for cassette.)

Scratch Record

The SCRATCH RECORD operation scratches the specified record from the specified (relative record) file. The record to be scratched is specified in byte 6 and 7 of the PAB. This operation will cause an error for sequential files and devices. (No operation for cassette.)

VERIFY

The VERIFY command allows the record on tape to be compared against what is in VDP RAM. It will return an error code if the

record is unreadable or if there is a difference between the tape's data and the VDP data.

ERROR CODES

The File Management System shall support the following error codes:

1. BAD DEVICE NAME

the device indicated is not in the system.

2. ILLEGAL OPERATION

either an invalid operation was specified,
or a conflict with the OPEN mode has occurred.

3. DEVICE ERROR

covers all hard device errors, such as parity and bad medium errors.

ISSUING THE COMMAND TO THE CASSETTE DSR

After the PAB is set up, the cassette DSR is called by putting the address of the name length (byte 9 of the PAB) in CPU RAM location >56 and then calling a subroutine at location >10 in GROM 0. This is illustrated as follows for a save routine:

| | | |
|--------|---------|--------------------------|
| DSR | EQU >10 | Address of subroutine |
| NAMLEN | EQU >56 | Address of byte 9 of PAB |

.
. .
.

```

MOVE 13 FROM ROM(#PABCAS) TO RAM ( 500)
DST  # >509, @NAMLEN      Address of byte 9 of PAB in VDP
CALL DSR
DATA 8                      *Tells subroutine this is a DSR
.
.
.
PABCAS DATA >06           Opcode for save
DATA >02                   Sets output status for save
DATA #>600                 Address in VDP of data buffer
DATA >40                   Fixed record length size for cassette
DATA >00                   Character count for cassette
DATA #>6F0                 Number of bytes to be read
DATA >00                   Bias for ASCII characters
DATA >03                   Length of name of device
DATA :CS1:                 Name of device*

```

* For cassettes the name of the device is predefined as CS1 or CS2 and these are the only names you are allowed to use.

AUDIO GATE

CRU bit 24 is the audio gate bit which allows data being read to be heard. If the bit is set to 1, the data being read is heard, and if the bit is set to 0, the data is not heard. Setting this bit to a 0 or 1 is done with an I/O instruction.

MOTOR CONTROL

There are two CRU bits (22 and 23) used to control cassettes 1 and 2, respectively. When there is no Cassette I/O being done,

both motors remain on. When Cassette I/O is specified, the DSR will control the data being read. If there are two motor units connected, the data will be read simultaneously, or you may have the option of reading data from one motor unit and playing the recorded voice from another motor unit through the TV speaker.

APPENDIX J - LIST OF INSTRUCTIONSPART 1 ALPHABETIC

| <u>MNEMONIC</u> | <u>OPCODE (>)</u> | <u>FORMAT</u> | <u>STATUS AFFECTED</u> | <u>INSTRUCTION</u> | <u>SECTION</u> |
|-----------------|----------------------|---------------|----------------------------|--------------------------|----------------|
| A | A0 | 1 | ALL | ADD | 4.4.1 |
| ABS | 80 | 6 | NONE | ABSOLUTE VALUE | 4.49 |
| ADD | A0 | 1 | ALL | ADD | 4.4.1 |
| ALL | 07 | 2 | NONE | LOAD SCREEN | 4.5.3 |
| AND | B0 | 1 | ALL | LOGICAL AND | 4.4.12 |
| B | 05 | 3 | COND | LONG BRANCH | 4.2.3 |
| BACK | 04 | 2 | NONE | LOAD BORDER COLOR | 4.5.2 |
| BR | 40 | 4 | COND | BRANCH ON RESET | 4.2.2 |
| BS | 60 | 4 | COND | BRANCH ON SET | 4.2.1 |
| CALL | 06 | 3 | COND | CALL SUBROUTINE | 4.2.5 |
| CARRY | 0C | 5 | COND | CARRY STATUS TO COND | 4.1.3 |
| CASE | 8A | 6 | COND | CASE BRANCH | 4.2.4 |
| CEQ | D4 | 1 | COND | COMPARE EQUAL | 4.1.5 |
| CGE | D0 | 1 | COND | COMPARE GREATER OR EQUAL | 4.1.9 |
| CGT | CC | 1 | COND | COMPARE GREATER | 4.1.8 |
| CH | C4 | 1 | COND | COMPARE HIGH | 4.1.6 |
| CHE | C8 | 1 | COND | COMPARE HIGH OR EQUAL | 4.1.7 |
| CLOG | D8 | 1 | COND | COMPARE LOGICAL | 4.1.10 |
| CLR | 86 | 6 | NONE | CLEAR | 4.4.15 |
| COINC | ED | 1 | COND | COINCIDENCE | 4.5.1 |
| CONT | 10 | 5 | NONE | BASIC CONTINUE | |
| CZ | 8E | 6 | COND | COMPARE TO ZERO | 4.1.11 |
| D | AC | 1 | ALL | DIVIDE | 4.4.4 |
| DEC | 92 | 6 | ALL | DECREMENT BY ONE | 4.4.7 |
| DECT | 96 | 6 | ALL | DECREMENT BY TWO | 4.4.8 |

| <u>MNEMONIC</u> | <u>OPCODE(>)</u> | <u>FORMAT</u> | <u>STATUS AFFECTED</u> | <u>INSTRUCTION</u> | <u>SECTION</u> |
|-----------------|---------------------|---------------|----------------------------|---------------------------|----------------|
| DIV | AC | 1 | ALL | DIVIDE | 4.4.4 |
| EX | C0 | 1 | NONE | EXCHANGE | 4.4.17 |
| EXEC | 11 | 5 | ALL | BASIC EXECUTE | |
| EXIT | 0B | 5 | NONE | EXIT PROGRAM | 4.5.8 |
| FETCH | 88 | 6 | NONE | FETCH FROM CALL | 4.2.6 |
| FMT | 08 | 7 | ---- | FORMAT SCREEN | 4.5.4 |
| GT | 0A | 5 | COND | GREATER STATUS TO COND | 4.1.2 |
| H | 09 | 5 | COND | HIGH STATUS TO COND | 4.1.1 |
| INC | 90 | 6 | ALL | INCREMENT BY ONE | 4.4.5 |
| INCT | 94 | 6 | ALL | INCREMENT BY TWO | 4.4.6 |
| I/O | F6 | 8 | NONE | SPECIAL I/O | 4.5.9 |
| INV | 84 | 6 | NONE | INVERT (ONE'S COMPLEMENT) | 4.4.11 |
| MOVE | 20 | 9 | NONE | MOVE DATA | 4.4.20 |
| M | A8 | 1 | NONE | MULTIPLY | 4.4.3 |
| MUL | A8 | 1 | NONE | MULTIPLY | 4.4.3 |
| NEG | 82 | 6 | NONE | NEGATE (TWO'S COMPLEMENT) | 4.4.10 |
| OR | B4 | 1 | ALL | LOGICAL OR | 4.4.13 |
| OVF | 0D | 5 | COND | OVERFLOW STATUS TO COND | 4.1.4 |
| PARSE | 0E | 2 | ALL | BASIC PARSE | |
| PUSH | 8C | 6 | NONE | PUSH DATA STACK | 4.4.18 |
| RAND | 02 | 2 | NONE | RANDOM NUMBER | 4.5.5 |
| RB | B0 | 1 | ALL | RESET BIT | 4.3 |
| RTN | 00 | 5 | COND | RETURN FROM SUBROUTINE | 4.2.7 |
| RTNB | 12 | 5 | ALL | BASIC RETURN | |
| RTNC | 01 | 5 | NONE | RETURN FROM SUBROUTINE | 4.2.8 |
| S | A4 | 1 | ALL | SUBTRACT | 4.4.2 |

| <u>MNEMONIC</u> | <u>OPCODE(>)</u> | <u>FORMAT</u> | <u>STATUS AFFECTED</u> | <u>INSTRUCTION</u> | <u>SECTION</u> |
|-----------------|---------------------|---------------|----------------------------|--------------------------|----------------|
| SB | B4 | 1 | ALL | SET BIT | 4.3 |
| SCAN | 03 | 5 | COND | SCAN KEYBOARD | 4.5.6 |
| SLL | E0 | 1 | NONE | SHIFT LEFT LOGICAL | 4.4.21 |
| SRA | DC | 1 | NONE | SHIFT RIGHT ARITHMETIC | 4.4.22 |
| SRC | E8 | 1 | NONE | SHIFT RIGHT CIRCULAR | 4.4.24 |
| SRL | E4 | 1 | NONE | SHIFT RIGHT LOGICAL | 4.4.23 |
| ST | BC | 1 | NONE | STORE | 4.4.16 |
| SUB | A4 | 1 | ALL | SUBTRACT | 4.4.2 |
| TBR | D8 | 1 | COND | TEST BIT RESET | 4.3 |
| XML | 0F | 2 | NONE | EXECUTE MACHINE LANGUAGE | 4.5.7 |
| XOR | B8 | 1 | ALL | LOGICAL EXCLUSIVE OR | 4.4.14 |

The following instructions are used to access BASIC

Language:

| | |
|-------|----------------|
| CONT | BASIC Continue |
| PARSE | BASIC Parse |
| RTNB | BASIC Return |
| EXEC | BASIC Execute |

PART 2 INSTRUCTION MAP
Least Significant Nybble

Most Significant Nybble

| | 0 | 1 | 2 | 3 | 4 | 5 | 6 | 7 | 8 | 9 | A | B | C | D | E | F |
|---|--------|------|------|--------|--------|---|------|--------|------|--------|-------|--------|-------|-----|-------|-----|
| 0 | RTN | RTNC | RAND | SCAN | BACK | B | CALL | ALL | FMT | H | GT | EXIT | CARRY | OVF | PARSE | XML |
| 1 | CONT | EXEC | RTNB | UNUSED | | | | | | | | | | | | |
| 2 | MOVE | | | | | | | | | | | | | | | |
| 3 | | | | | | | | | | | | | | | | |
| 4 | BR | | | | | | | | | | | | | | | |
| 5 | | | | | | | | | | | | | | | | |
| 6 | BS | | | | | | | | | | | | | | | |
| 7 | | | | | | | | | | | | | | | | |
| 8 | ABS | NEG | INV | CLR | FETCH | | CASE | | PUSH | | CZ | | | | | |
| 9 | INC | DEC | INCT | DECT | UNUSED | | | | | UNUSED | | | | | | |
| A | ADD | | | SUB | | | MUL | | | DIV | | | | | | |
| B | AND | | | OR | | | XOR | | | ST | | | | | | |
| C | EX | | | CII | | | CHE | | | CGT | | | | | | |
| D | CGE | | | CEQ | | | CLOG | | | SRA | | | | | | |
| E | SLL | | | SRL | | | SRC | | | UNUSED | COTNC | UNUSED | | | | |
| F | UNUSED | | | | | | I/O | UNUSED | | | | | | | | |

APPENDIX K FLOATING POINT OPERATIONS

There are several subroutines in the monitor which can be called from a GPL program. These subroutines are described in this appendix. It is important the programmer realize that when one of these subroutines is called the contents of CPU RAM locations >4A through >6F may be used, and VDP RAM locations >3C0 through >3DF will be used for roll out.

The mathematical function subroutines provided in the monitor include convert number to string, greatest integer, involution, square root, exponential, natural log, cosine, sine, tangent, and arctangent. The CPU RAM locations used by these routines are:

FAC is CPU RAM >4A (8 bytes)

ARG is CPU RAM >5C (8 bytes)

STATUS is CPU RAM >7C

SGN is CPU RAM >75

EXP is CPU RAM >76

VSPTR is CPU RAM >6E (2 bytes)

FPERAD is CPU RAM >6C

FLOATING POINT ERRORS

When errors occur during the execution of floating point routines, they are indicated by a non-zero value being placed in CPU RAM location FAC+10. If an error has occurred, the user program is then responsible for clearing this error flag location.

Error Codes:

| | | |
|--------|-----|---|
| WRNOV | >01 | - warning, overflow |
| DIVZER | >01 | - division by zero |
| ERRSNN | >02 | - syntax error |
| ERRIOV | >03 | - integer overflow on conversion |
| ERRSQR | >04 | - square root of negative number |
| ERRNIP | >05 | - negative number to non-integral power |
| ERRLOG | >06 | - log of negative number or zero |
| TRIGER | >07 | - invalid argument in trig function |

CNS - CONVERT NUMBER TO STRING

Purpose: Convert a floating point number to an ASCII string.

Input: FAC The floating point value.

FAC+11 If set to 0, the output string will be in BASIC format. If greater than 0, represents output in CALCULATOR mode. The contents are the effective calculator width, exclusive of decimal point. The following two cells are also required in CALCULATOR mode.

FAC+12 If zero, express overflow from calculator range by + or - EE...E. Underflow is expressed as 0. If positive, under- or over-flow from calculator range is expressed in E-format using the number of

significant digits specified by this cell.

FAC+13 The number of digits to fix to the right of the decimal point. A negative value disables the FIX mode.

CALL: CNS EQU >14
Output: FAC The FAC contents will be modified due to rounding performed for display purposes.

FAC+11 Points to the beginning of the result string. The string will be entirely contained within the floating point scratch area between FAC and FPERAD.

FAC+12 The length of the string, in bytes.

Exceptions: None

INT - GREATEST INTEGER FUNCTION

Purpose: Compute the greatest integer contained in a floating point value.

Input: FAC The floating point value.
 INT EQU >22

Call: CALL INT

Output: FAC The greatest integer contained in the floating point value. For positive numbers the integer is the truncated value. For negative numbers the integer is the truncated value plus one.

 STATUS The status byte is set according to the contents of FAC after the operation.

Exceptions: None

PWR - INVOLUTION ROUTINE

Purpose: Raise a number, B, to a specified power, E

Input: FAC The exponent, E.
 STACK The base, B.
 PWR EQU >24

Call: CALL PWR

Output: FAC The result, B**E. The result is computed as EXP (E * LOG(ABS(B))). If B is negative and E is an odd integer, the result is negated.

STATUS The status byte is set according to the contents of FAC.

Exceptions: Negative number to non-integer power.
Zero raised to a negative power.
Overflow if result greater than maximum value.

K-4

Side Effects: SGN and EXP are destroyed. The previous FAC contents are destroyed and the contents of VSPTR are decremented by 8.

SQR - SQUARE ROOT ROUTINE

Purpose: Compute the square root of a number.

Input: FAC The input value.
SQR EQU >26

Call: CALL SQR

Output: FAC The square root of the number.
STATUS Set according to the contents of FAC.

K-5

Exceptions: If the input value is negative, the ERRSQR condition results.

Side Effects: SGN and EXP are destroyed. The contents of VSPTR are unchanged.

EXP - EXPONENTIAL ROUTINE

Purpose: Compute the inverse natural logarithm.

Input: FAC The input value.
EXP EQU >28

K-5

Call: CALL EXP

Output: FAC The inverse natural logarithm.
STATUS Set according to the contents of FAC.

Exceptions: Overflow of the result causes the WRNOV condition.

Side Effects: SGN and EXP are destroyed. The contents of VSPTR are unchanged.

LOG - NATURAL LOGARITHM ROUTINE

Purpose: Compute the natural log of a number.

K-6

Input: FAC The input value.
 LOG EQU >2A

Call: CALL LOG

Output: FAC The natural log of the number.
 STATUS Set according to the contents of FAC.

Exceptions: If the input value is zero or negative,
 the ERRLOG condition results.

Side Effects: SGN and EXP are destroyed. The
 contents of VSPTR are unchanged.

COS - COSINE ROUTINE

Purpose: Compute the cosine of a number (in radians).

Input: FAC The input value.
 COS EQU >2C

Call: CALL COS

Output: FAC The cosine of the number.
 STATUS Set according to the contents of FAC

Exceptions: None

Side Effects: SGN and EXP are destroyed. The contents of VSPTR are unchanged.

SIN - SINE ROUTINE

Purpose: Compute the sine of a number (in radians)

Input: FAC The input value.

SIN EQU >2E

Call: CALL SIN

Output: FAC The sine of the number.

STATUS Set according to the contents of FAC.

Exceptions: None

Side Effects: SGN and EXP are destroyed. The contents of VSPTR are unchanged.

TAN - TANGENT ROUTINE

Purpose: Compute the tangent of a number (in radians).

Input: FAC The input value.

TAN EQU >30

Call: CALL TAN

Output: FAC The tangent of the number (in radians).

STATUS Set according to the contents of FAC.

Exceptions: If the input value causes an overflow the WRNOV condition results.

Side Effects: SGN and EXP are destroyed. The contents of VSPTR are unchanged.

ATN - ARCTANGENT ROUTINE

Purpose: Compute the arctangent of a number (in radians)

Input: FAC The input value.

ATN EQU >32

Call: CALL ATN

Output: FAC The arctangent of the number.

STATUS Set according to the contents of FAC.

Exceptions: None

Side Effects: SGN and EXP are destroyed. The contents of VSPTR are unchanged.

The floating point routines provided in ROM are convert string to number, convert floating to integer, floating add, floating subtract, floating multiply, floating divide, floating compare, stack add, stack subtract, stack multiply, stack divide, and stack compare. All numbers are 8-bits.

As a number is used on the value stack, the stack pointer is incremented by 8. All errors are returned in location FAC + 10.

Only overflow errors are detected and the code is 1 for a floating point overflow and 3 for integer overflow.

CSN - CONVERT STRING TO NUMBER

Purpose: Convert an ASCII string to a floating point number.

Input: FAC Address of the string.
CSN EQU >10

Call: XML CSN (The instruction FLTPT will generate the same code as XML)

Output: FAC Number returned here. All numbers are returned in internal format which is radix 100. CPU RAM space FAC thru FAC+9 should be reserved for the answer.

FAC+10 Error code (>01 - overflow)

CFI - CONVERT FLOATING POINT TO INTEGER

Purpose: A rounded conversion of a floating point number to an integer.

Input: FAC Floating point number
CFI EQU >12

Call: XML CFI

Output: FAC Integer value returned in first two bytes.

FAC+10 Error code (>03 - overflow)

Exceptions: Range of integer must be -32,768 to 32,767

FADD - FLOATING POINT ADDITION

Purpose: Perform addition in base 100.

Input: ARG Left-hand term
FAC Right-hand term
FADD EQU >06

Call: XML FADD

Output: FAC Result of addition problem.
FAC+10 Error code (>01 - overflow)

FSUB - FLOATING POINT SUBTRACTION

Purpose: Perform subtraction in base 100.

Input: ARG Left-hand term
FAC Right-hand term
FSUB EQU >07

Call: XML FSUB

Output: FAC Result of subtraction problem.
FAC+10 Error code (>01 - overflow)

FMUL - FLOATING POINT MULTIPLICATION

Purpose: Perform multiplication in base 100.

Input: ARG Multiplicand
FAC Multiplier
FMUL EQU >08

Call: XML FMUL

Output: FAC Result
FAC+10 Error code (>01 - Overflow)

FDIV - FLOATING POINT DIVISION

Purpose: Perform division in base 100.

Input: ARG Dividend
FAC Divisor
FDIV EQU >09

Call: XML FDIV

Output: FAC Result
FAC+10 Error code (>01 - Overflow)

FCOMP - FLOATING POINT COMPARE

Purpose: Compare two base 100 numbers.

Input: ARG First argument to compare
FAC Second argument to compare
FCOMP EQU >0A

Call: XML FCOMP

Output: STATUS Bits set according to the compare --
High bit is set if ARG is logically
higher than FAC, greater than bit is
set if ARG is arithmetically
greater than FAC, condition bit is
set if ARG and FAC are equal.

SADD - VALUE STACK ADDITION

Purpose: Perform base 100 addition of the top value on
the value stack in VDP RAM with another value.

Input: ARG Top number on the value stack (VDP RAM
address pointed to by VSPTR) is left-
hand term.
FAC Right-hand term
SADD EQU >0B

Call: XML SADD

Output: FAC Result
 FAC+10 Error code (>01 - Overflow)

SSUB - VALUE STACK SUBTRACTION

Purpose: Perform base 100 subtraction of a number from
 the top of the value stack.

Input: ARG TOP number on the value stack is
 left-hand term
 FAC Right-hand term
 SSUB EQU >0C

Call: XML SSUB

Output: FAC Result
 FAC+10 Error code (>01 - overflow)

SMUL - VALUE STACK MULTIPLICATION

Purpose: Perform base 100 multiplication of a number
 from the top of the value stack with another
 number.

Input: ARG TOP number on the value stack is
 multiplicand.
 FAC Multiplier
 SMUL EQU >0D

Call: XML SMUL

Output: FAC Result
 FAC+10 Error code (>01 - Overflow)

SDIV - VALUE STACK DIVISION

Purpose: Perform base 100 division of a number from the
 top of the value stack by another number.

Input: ARG Top number on the value stack-dividend
 FAC Divisor
 SDIV EQU >0E

Call: XML SDIV

Output: FAC Result
 FAC+10 Error code (>01 - overflow)

SCOMP - VALUE STACK COMPARE

Purpose: Compare the top number on the value stack to
 another number

Input: ARG TOP number on the value stack - first
 argument
 FAC Second argument
 SCOMP EQU >0F

Call: XML SCOMP

Output: STATUS ARG is compared to FAC and the high,
 greater than, and condition bits are
 set accordingly.

RADIX 100

The internal format for floating point numbers is Radix 100. Each number consists of 8 bytes - an exponent followed by a 7-digit Radix 100 mantissa. A single Radix 100 digit has a range in decimal value from 0 to 99. Thus, a 7-digit Radix 100 number will correspond to decimal precision of 13 to 14 digits. The exponents range in value from -64 to +63, which corresponds to a decimal range of 10^{-128} to 10^{+126} . The result is an equivalent decimal range from $-9.9999999999999 \times 10^{+127}$ through $-1.0000000000000 \times 10^{-128}$; zero; and then $+1.0000000000000 \times 10^{-128}$ through $+9.9999999999999 \times 10^{+127}$.

The first byte of the eight byte number is the exponent, biased by >40. The remaining seven bytes contain the seven-digit mantissa, with the most significant digit first. The number is normalized so that the decimal point is immediately after the most significant Radix 100 digit. If the number is negative, the first two bytes are complemented.

Examples:

1) Decimal value = 12543

Floating point value = >42, >01, >19, >2B, >00, >00, >00, >00

2) Decimal value = 0.5294

Floating point value = >3F, >34, >5E, >00, >00, >00, >00, >00

3) Decimal value = 23.75

Floating point value = >40, >17, >4B, >00, >00, >00, >00, >00

4) Decimal value = -23.75

Floating point value = >BF, >E9, >4B, >00, >00, >00, >00, >00

APPENDIX L 9900 ASSEMBLY LANGUAGE

The VDP chip is accessed by writing to the appropriated memory mapped location (see Home Computer System Memory, CRU, and Interrupt Mapping Specification). First, the VDP address pointer is loaded by writing out, sequentially, two bytes (low byte first) to the VDP address location. (If the full operation is to be a WRITE data to VDP, then the 2 byte address must be ORed with 4000).

Because of timing considerations on the VDP, there should be a delay of at least 6 usec between a read or write operation and loading the address pointer (or between any two VDP operations).

Data may then be moved from (to) the VDP read-(write)-data address which will contain the content of VDP memory pointed to by the VDP address register. After each operation the VDP address pointer automatically increments and points to the next location. Therefore, the address pointer does not have to be reloaded to move blocks of VDP memory.

```
R1 = @MSB(LSB) two byte VDP address
R2 = @VDPWA I/O write address
R3 = @VDPWD address to write data
R4 = @VDPRD address to read data
ORI  R1,>4000      write option
MOVB @R1LSB,*R2
MOVB R1,*R2
SLA  R8,6         delay
MOVB *R4,@LOC    read data R4 = @VDPRD
MOVB @LOC,*R3    write R3 = @VDPWD
```

GROM is accessed by writing a two-byte address (high order byte first) to the appropriate memory-mapped GROM write address location. Data may then be moved from (to) the GROM read (write) data address which will contain the contents of GROM memory pointed to by the GROM address location. After each operation, the GROM address pointer automatically increments and points to the next location. Therefore, the address pointer does not have to be reloaded to move blocks of GROM data.

R1 = @MSB(@LSB) two-byte GROM address
 R2 = @GRMWA - GROM write address
 R3 = @grmwd - address to write GROM data
 R4 = @GRMRD - address containing current GROM data

```

MOV B R1,*R2
MOV B @R1LSB,*R2
SLA  R8,16      delay
MOV B *R4,R6    move data from GROM address to R6
MOV B  R6,*R3   move data from R6 to GROM address
  
```

To create sound in an Assembly Language program, you create a sound list exactly as you would in Graphics Language. The address of this sound list should be stored in location >83CC which is CPU RAM location >CC. If this address is in VDP RAM, the low order of R14 should be a 1; if the address is in GROM, the low order bit should be a 0. Location >83CE (CPU RAM >CE - number of sound bytes) should contain a 1. To allow for interrupt detection, you should do two LIM1 instructions about every 400 instructions.

```

R14LB  EQU  >83FD
ONE     BYTE >01
  
```

```
SOUND  DATA  >700      *Sound list in VDP RAM
MOV     @SOUND,@>83CC
MOVB   @ONE,@>83CE
SOCB   @ONE,@R14LB

      .
      . (400 - 500 Instructions)
      .

LIMI   2     Sees interrupts greater or equal to 2
LIMI   0     No interrupts except reset or load
```

APPENDIX M PROGRAMMER/PLANNER STANDARDS

1.0 PURPOSE

The purpose of this notebook is two fold. First, it is designed to set forth the conventions to be applied across all Home Computer software in order to minimize customer confusion. Our software should be viewed as being of the utmost quality, and one way to accomplish this is to make the interface between the customer and the Home Computer as much the same as is possible, regardless of which package he is using. Secondly, it is designed to help reduce our development cycle time. One way to accomplish this is through the use of common subroutines and functions. These can be coded and checked out only once.

This guide is meant to be an evolutionary document, therefore, your inputs are requested and updates made to it from time to time.

2.0 SCREEN PROCESSING AND FUNCTION KEY USAGE

The Primary interface between our software and the customer is through the monitor. This occurs with four basic types of screens:

- o MASTER MENU - tells user basic package options and requires one user response.
- o SUBMENU - used when a given option in turn has several suboptions, requires one user response.
- o PROMPTS - used to get necessary data from the user to process currently selected options, may be one or more screens.
- o DISPLAYS - provides user with result of selected option.

The interface between these screens can lead to a very large confusion factor if not handled properly.

2.1 MASTER MENU

Example format would be:

| | |
|---|---------------------|
| <table border="1"><tr><td style="text-align: center;">INVESTMENT ANALYSIS</td></tr></table> | INVESTMENT ANALYSIS |
| INVESTMENT ANALYSIS | |
| 1. STOCKS 2. BLACK-SCHOLES OPTIONS PRICING 3. OPTION WRITING 4. OPTION SPREADS 5. BONDS 6. BASIC FINANCIAL TOOLS | |
| <table border="1"><tr><td>YOUR CHOICE? _</td></tr></table> | YOUR CHOICE? _ |
| YOUR CHOICE? _ | |

The user would make his selection by keying in a 1-6 and pressing ENTER; any other response would cause an error tone.

2.2 SUBMENU

If option "1" was selected in 2.1, the following submenu would appear:

| | | |
|--|--------|--|
| <table border="1"><tr><td>STOCKS</td></tr><tr><td>1. STOCK PERFORMANCE 2. THEORETHICAL STOCK PRICE USING REQUIRED RETURN 3. EXPECTED RETURN WITH THE CURRENT STOCK PRICE</td></tr></table> | STOCKS | 1. STOCK PERFORMANCE 2. THEORETHICAL STOCK PRICE USING REQUIRED RETURN 3. EXPECTED RETURN WITH THE CURRENT STOCK PRICE |
| STOCKS | | |
| 1. STOCK PERFORMANCE 2. THEORETHICAL STOCK PRICE USING REQUIRED RETURN 3. EXPECTED RETURN WITH THE CURRENT STOCK PRICE | | |
| YOUR CHOICE? _ | | |

The users now have 2 possible paths to take. The normal path is to select a 1-3 on the keyboard (any other entry produces an error tone). The second path is to return to the menu that got them here (in this case the Master Menu). The SHIFT-Z or BACK key should be used to accomplish this. The SHIFT-W or BEGIN key could also be used.

2.3 PROMPTS

For example, if "1" is selected in 2.2, the following prompt screen might appear:

| | | | | | |
|--|-------------------|-------------------------------|-----------------------------------|-------------------------------|----------------------------------|
| <table border="1"><tr><td>STOCK PERFORMANCE</td></tr><tr><td>INCOME TAX BRACKET (%)? _ _ _</td></tr><tr><td>CAPITAL GAINS TAX RATE (%)? _ _ _</td></tr><tr><td>TOTAL DIVIDEND PERIODS? _ _ _</td></tr><tr><td>DIVIDEND PERIODS PER YEAR? _ _ _</td></tr></table> | STOCK PERFORMANCE | INCOME TAX BRACKET (%)? _ _ _ | CAPITAL GAINS TAX RATE (%)? _ _ _ | TOTAL DIVIDEND PERIODS? _ _ _ | DIVIDEND PERIODS PER YEAR? _ _ _ |
| STOCK PERFORMANCE | | | | | |
| INCOME TAX BRACKET (%)? _ _ _ | | | | | |
| CAPITAL GAINS TAX RATE (%)? _ _ _ | | | | | |
| TOTAL DIVIDEND PERIODS? _ _ _ | | | | | |
| DIVIDEND PERIODS PER YEAR? _ _ _ | | | | | |

The cursor is located at the first prompt. Here the user has 3 options:

1. He can key in the requested value, press ENTER and move to the next prompt.
2. If a "NULL" response is acceptable and the user wishes not to enter a value, he can simply press ENTER and move to the next prompt.
3. The user can decide that "STOCK PERFORMANCE" was not really what he wanted to do. He can press the SHIFT-Z key and return to the menu that got him here (in this case the "STOCK" submenu).

The last prompt on the screen is a special case. Here again, the user keys in the requested value and presses ENTER. At this point, rather than automatically going to the next logical process, the following should appear at the bottom of the screen:

```
SCREEN IS COMPLETE  
PRESS PROC'D, REDO, ERASE
```

Where:

PROC'D means that the user is ready for the program to accept the data just given it and it should proceed to the next logical function - i.e., process data, ask for more prompts, etc.

REDO means that the user wants to change some of the data just input so the program should in effect move the cursor back to the first entry (still showing or re-displaying the user's last responses) and let the user move through the prompts via the ENTER key changing the ones he wants to.

ERASE means that the user doesn't want the program to use any data just given it - i.e., abort. In this case, the program should erase the screen and start it over, thus wiping out the user's last responses.

The user can also press BACK (SHIFT-Z) - it has the same conotation as ERASE, in that all data input on current screen is lost, but it takes the user back to the menu that lead him to this prompt screen.

There are several special cases that arise in processing a screen of prompts:

REQUIRED AND OPTIONAL PROMPTS:

Where at all possible, all required prompts (prompts that must be answered to solve the problem), should come

first and be grouped together. While the user is in the required prompt area, the only valid function keys are:

ENTER - to get to the next prompt
ERASE - erase screen and start it over
REDO - change a previously entered value on
current screen
BACK - takes user back to the last menu screen
BEGIN - takes user back to the Master Menu
QUIT - takes user back to the color bar screen

When the user has completed all required prompts and is in the optional prompt area, the above keys are valid with the addition of:

PROC'D - takes user immediately to the screen
complete line.

REDO CYCLE:

If the user has completed all required prompts and then presses REDO, he is reviewing previously entered data on the current screen. Once he has made corrections, he can press PROC'D which will automatically take him to the "SCREEN IS COMPLETE" line. This allows him to bypass entries that require no changes rather than having to press ENTER to get to the bottom of the screen.

WHAT-IF MODE:

Sometimes the WHAT-IF mode of processing is desirable. This occurs when the user has input a series of prompts and upon obtaining the results, wishes to vary one or more parameters and see the resultant change.

The last answer display screen should end with the following:

PRESS REDO, BACK, BEGIN

Where BACK would take the user backward to the first prompt screen redisplaying previous answers to the prompts, BEGIN would take the user back to the Master Menu, and REDO would take the user back to the prior screen (if there is one).

While processing in the WHAT-IF mode, you can run into the situation where a variable number of parameters can be supplied. For example, the first time through a variable cash flow analysis the user might have selected 10 different cash flows. When he enters the WHAT-IF mode, he may only want to use 5 cash flows but is redisplayed the 10 he previously input.

The way to terminate such a string of data would be for him to press ENTER after inputting the 5th item. The cursor then moves to the 6th item and the user would press CLEAR to put nulls in the field and then press ENTER. The cursor then moves to the standard message at the bottom of the screen and when PROC'D is pressed, it would disregard items 6 through 10.

The user also requires a certain amount of latitude while dealing with one specific prompt. If he wishes to clear a field and start over, he presses CLEAR (SHIFT-C) which clears the field and moves the cursor back to the first position in the field. The user also needs to move the cursor either left or right to make corrections. This should be done with the LEFT and RIGHT keys (SHIFT-S and SHIFT-D respectively).

2.4 DISPLAYS

Displays are totally package dependent. Some will have headings because they are displaying answers or data and some will not because they are games, pictures, etc.

The key, though, is that the user needs to know what to do when through with the display.

If a display is multiple screens of data, the formats should be:

```
          DATA
          - - - - -
          - - - - -
          - - - - -
          TO CONTINUE, PRESS PROC'D
```

```
          DATA
          - - - - -
          - - - - -
          - - - - -
          SCREEN IS COMPLETE:
          PRESS REDO, BACK, BEGIN
```

FIRST SCREEN:

The last line "TO CONTINUE PRESS PROC'D" tells the user that there is more data to follow, and to see it they must press PROC'D. The only other valid keys at this point are QUIT, BACK (WHAT-IF mode) and BEGIN.

SECOND SCREEN:

The next to last line "SCREEN IS COMPLETE" tells the user that there is no more data to be looked at. The next line "PRESS REDO, BACK, BEGIN" tells the user his options at this time.

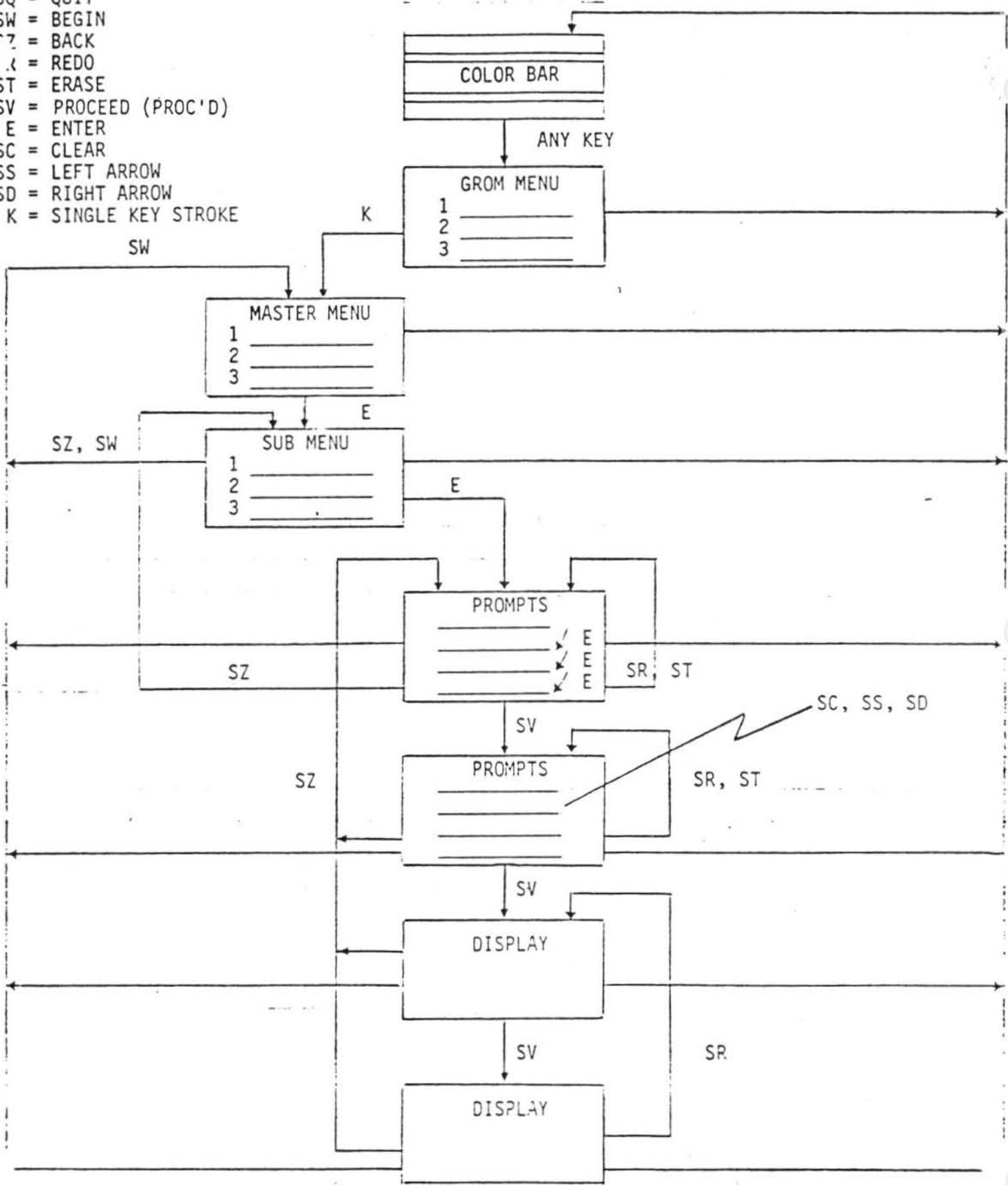
REDO would take the user back to the display screen prior to this one, if there were more than one.

BACK would put the user in the WHAT-IF mode and take him back to the first series of prompts redisplaying previous entries.

BEGIN would take the user back to the Master Menu. Of course, QUIT is also valid at this point.

If it is necessary to look at data that is wider than will fit on the screen, then sideward scrolling is required. This should be accomplished with the LEFT and RIGHT keys. The LEFT key moves the data to the left, i.e., allows the user to view the right hand side of the data, and the RIGHT key moves the data to the right, i.e., allows the user to view the left hand side of the data.

- SQ = QUIT
- SW = BEGIN
- ← = BACK
- ↵ = REDO
- ST = ERASE
- SV = PROCEED (PROC'D)
- E = ENTER
- SC = CLEAR
- SS = LEFT ARROW
- SD = RIGHT ARROW
- K = SINGLE KEY STROKE



If we will leave a blank line following each prompt, then the answer can be moved to that line, if required, when we translate. For example in U.S. we might say:

IS THIS CORRECT (Y/N)? _

and when translated to French they might say:

EST-CE CORRECT (OUI = 1/NON = 2)
? _

The YES/NO prompt is a special type. In the U.S. the term (Y/N) is acceptable, but as illustrated above "yes" in a foreign language does not start with a "Y". Since we do not know what languages we will be translating to, we will use "1" for YES and "2" for NO in the foreign language. Therefore, all of our packages should accept a "Y" or "1" for YES and a "N" or "2" for NO.

Another type of prompt we need to pay special attention to is the "DATE" prompt. Everyone, except the U.S., thinks of dates in DAY/MONTH/YEAR format.

For ease of processing, all packages should process dates only in one format---MONTH/DAY/YEAR. Therefore, each package must check a language flag (see MULTI-LINGUAL PLANNING) to determine the format and if non-U.S. then it must reverse the order when accepting or displaying dates.

The format for the date prompt will depend upon the age of the expected user, but if at all possible should be as follows:

TODAY'S DATE? _ _ / _ _ / _ _

People in the U.S. will automatically input MM/DD/YY and elsewhere, they will input DD/MM/YY. We can determine order by knowing if the package is U.S. or not.

If the planner feels that the date needs to be more explicit, then the following format should be used:

TODAY'S DATE:

MONTH? _ _ DAY? _ _ YEAR? _ _

Note that the prefix "19" is being dropped from the year. With the underscore it is obvious that the last two digits are all that is required, plus it give us 2 extra characters on the line.

In packages that require data logic (difference between two dates, etc.) the second format should be used. This is especially true if a package like this is to be marketed in the U.K. or Canada with no changes from the

U.S. version. In this case, we need it absolutely clear that the date order is MM/DD/YY, as we have no way of telling whether the package is being run in the U.S. or U.K.

4.0 MULTI-LINGUAL PLANNING

In designing packages that will be translated from U.S. to a foreign language there are several items that must be taken into consideration. Some of these have already been discussed under PROMPT FORMATS (3.2.) The following items are also required to make the conversion as easy and inexpensive as possible:

1. All text must be located in one GROM. If this is not possible, then a concerted effort should be made to reduce the amount of text so it will fit. Only after all possibilities have been explored, should we go to 2 GROMS for text.
2. If the package uses the cassette DSR, then in the text GROM we must leave 400 bytes of free space to allow for the inclusion of an override DSR. This is the only way the DSR text can be translated from U.S. to a foreign language.
3. We must also leave 150 bytes of free space to allow for the inclusion of an override powerup program so that the introductory (color bar) screen can be translated.
4. Most foreign languages take more room than U.S. As a rule of thumb, we need to take the total number of characters we have in U.S. text and leave 25% of this number as free space to allow for the translation. For example, if we have 2000 characters of U.S. text, then we need 25% of 2000 or 500 bytes of free space.
5. The use of keys which relate to English should be avoided. For example:

PRESS P TO PRINT

Instead, we should use numbers. For example:

PRESS 1 TO PRINT

6. The entry point to all packages should be in the text GROM and should set a language flag telling what language the package is in. A value of zero should be used for U.S. This flag then can be tested in the mainline program to tell date formats. This same flag can also be used by the

text formatter to tell which language is being used if the package contains several languages at one time.

7. All text should be stored in the text formatter along with the cursor position for prompts.

This cursor position will be returned to the mainline program which can use it to call the ACCEPT subroutine to get the answer to the prompt.

8. As mentioned in 3.2, prompts should be as short as possible so that the prompt and answer, when translated, can still fit on one line.

If the prompt will be too large to meet the one line requirement when translated, then a blank line must be left directly under the prompt so that the answer can be moved to this line when translation is done.

| | | | | (sub stack) | (data stack) |
|----|----|----|-----------------|-------------|--------------|
| 00 | 20 | 40 | 60 | 80 | A0 |
| 01 | 21 | 41 | 61 | 81 | A1 |
| 02 | 22 | 42 | 62 | 82 | A2 |
| 03 | 23 | 43 | 63 | 83 | A3 |
| 04 | 24 | 44 | 64 | 84 | A4 |
| 05 | 25 | 45 | 65 | 85 | A5 |
| 06 | 26 | 46 | 66 | 86 | A6 |
| 07 | 27 | 47 | 67 | 87 | A7 |
| 08 | 28 | 48 | 68 | 88 | A8 |
| 09 | 29 | 49 | 69 | 89 | A9 |
| 0A | 2A | 4A | 6A | 8A | AA |
| 0B | 2B | 4B | 6B | 8B | AB |
| 0C | 2C | 4C | 6C | 8C | AC |
| 0D | 2D | 4D | 6D | 8D | AD |
| 0E | 2E | 4E | 6E | 8E | AE |
| 0F | 2F | 4F | 6F | 8F | AF |
| 10 | 30 | 50 | 70 } RAM SIZE | 90 | B0 |
| 11 | 31 | 51 | 71 } RAM SIZE | 91 | B1 |
| 12 | 32 | 52 | 72 DATSTK (>A0) | 92 | B2 |
| 13 | 33 | 53 | 73 SUBSTK (>80) | 93 | B3 |
| 14 | 34 | 54 | 74 KEYBRD | 94 | B4 |
| 15 | 35 | 55 | 75 KEY | 95 | B5 |
| 16 | 36 | 56 | 76 JOY Y | 96 | B6 |
| 17 | 37 | 57 | 77 JOY X | 97 | B7 |
| 18 | 38 | 58 | 78 RANDOM | 98 | B8 |
| 19 | 39 | 59 | 79 TIMER | 99 | B9 |
| 1A | 3A | 5A | 7A MOTION | 9A | BA |
| 1B | 3B | 5B | 7B VDPSTT | 9B | BB |
| 1C | 3C | 5C | 7C STATUS | 9C | BC |
| 1D | 3D | 5D | 7D CB | 9D | BD |
| 1E | 3E | 5E | 7E YPT | 9E | BE |
| 1F | 3F | 5F | 7F XPT | 9F | BF |

FIGURE M.3

SPRITE TABLE

VDP REG (1) =

| TE = | | YPT | XPT | CHAR | COL. | VELO- | Y | X | SPRITE = | | YPT | XPT | CHAR. | COL. | VELO- | Y | X | | |
|-------|------|------|-----|------|------|-------|------|---|----------|-------|------|------|-------|------|-------|------|------|--|--|
| | | | | | | CITY | | | | | | | | | CITY | | | | |
| 0 | >300 | | | | | >780 | | | 16 | >340 | | | | | >7C0 | | | | |
| 1 | >304 | | | | | >784 | | | 17 | >344 | | | | | >7C4 | | | | |
| 2 | >308 | | | | | >788 | | | 18 | >348 | | | | | >7C8 | | | | |
| 3 | >30C | | | | | >78C | | | 19 | >34C | | | | | >7CC | | | | |
| 4 | >310 | | | | | >790 | | | 20 | >350 | | | | | >7D0 | | | | |
| 5 | >314 | | | | | >794 | | | 21 | >354 | | | | | >7D4 | | | | |
| 6 | >318 | | | | | >798 | | | 22 | >358 | | | | | >7D8 | | | | |
| 7 | >31C | | | | | >79C | | | 23 | >35C | | | | | >7DC | | | | |
| 8 | >320 | | | | | >7A0 | | | 24 | >360 | | | | | >7E0 | | | | |
| 9 | >324 | | | | | >7A4 | | | 25 | >364 | | | | | >7E4 | | | | |
| 10 | >328 | | | | | >7A8 | | | 26 | >368 | | | | | >7E8 | | | | |
| 11 | >32C | | | | | >7AC | | | 27 | >36C | | | | | >7EC | | | | |
| 12 | >330 | | | | | >7B0 | | | 28 | >370 | | | | | >7F0 | | | | |
| 13 | >334 | | | | | >7B4 | | | 29 | >374 | | | | | >7F4 | | | | |
| 14 | >338 | | | | | >7B8 | | | 30 | >378 | | | | | >7F8 | | | | |
| 15 | >33C | | | | | >7BC | | | 31 | >37C | | | | | >7FC | | | | |
| CHAR. | RAM | DATA | | | CHAR | RAM | DATA | | | CHAR. | RAM | DATA | | | CHAR. | RAM | DATA | | |
| >80 | >400 | | | | >98 | >4C0 | | | | >80 | >580 | | | | >C8 | >640 | | | |
| >81 | >408 | | | | >99 | >4C8 | | | | >81 | >588 | | | | >C9 | >648 | | | |
| >82 | >410 | | | | >9A | >4D0 | | | | >82 | >590 | | | | >CA | >650 | | | |
| >83 | >418 | | | | >9B | >4D8 | | | | >83 | >598 | | | | >CB | >658 | | | |
| >84 | >420 | | | | >9C | >4E0 | | | | >84 | >5A0 | | | | >CC | >660 | | | |
| >85 | >428 | | | | >9D | >4E8 | | | | >85 | >5A8 | | | | >CD | >668 | | | |
| >86 | >430 | | | | >9E | >4F0 | | | | >86 | >5B0 | | | | >CE | >670 | | | |
| >87 | >438 | | | | >9F | >4F8 | | | | >87 | >5B8 | | | | >CF | >678 | | | |
| >88 | >440 | | | | >A0 | >500 | | | | >88 | >5C0 | | | | >D0 | >680 | | | |
| >89 | >448 | | | | >A1 | >508 | | | | >89 | >5C8 | | | | >D1 | >688 | | | |
| >8A | >450 | | | | >A2 | >510 | | | | >8A | >5D0 | | | | >D2 | >690 | | | |
| >8B | >458 | | | | >A3 | >518 | | | | >8B | >5D8 | | | | >D3 | >698 | | | |
| >8C | >460 | | | | >A4 | >520 | | | | >8C | >5E0 | | | | >D4 | >6A0 | | | |
| >8D | >468 | | | | >A5 | >528 | | | | >8D | >5E8 | | | | >D5 | >6A8 | | | |
| >8E | >470 | | | | >A6 | >530 | | | | >8E | >5F0 | | | | >D6 | >6B0 | | | |
| >8F | >478 | | | | >A7 | >538 | | | | >8F | >5F8 | | | | >D7 | >6B8 | | | |
| >90 | >480 | | | | >A8 | >540 | | | | >C0 | >600 | | | | >D8 | >6C0 | | | |
| >91 | >488 | | | | >A9 | >548 | | | | >C1 | >608 | | | | >D9 | >6C8 | | | |
| >92 | >490 | | | | >AA | >550 | | | | >C2 | >610 | | | | >DA | >6D0 | | | |
| >93 | >498 | | | | >AB | >558 | | | | >C3 | >618 | | | | >DB | >6D8 | | | |
| >94 | >4A0 | | | | >AC | >560 | | | | >C4 | >620 | | | | >DC | >6E0 | | | |
| >95 | >4A8 | | | | >AD | >568 | | | | >C5 | >628 | | | | >DD | >6E8 | | | |
| >96 | >4B0 | | | | >AE | >570 | | | | >C6 | >630 | | | | >DE | >6F0 | | | |
| >97 | >4B8 | | | | >AF | >578 | | | | >C7 | >638 | | | | >DF | >6F8 | | | |

TITLE

| SET 0 | SET 1 | SET 2 | SET 3 | SET 4 | SET 5 | SET 6 | SET 7 | SET 8 | SET 9 | SET 10 |
|-----------|-----------|-----------|-----------|-----------|-----------|-----------|-----------|-----------|-----------|-----------|
| RAM > 800 | RAM > 840 | RAM > 880 | RAM > 8C0 | RAM > 900 | RAM > 940 | RAM > 980 | RAM > 9C0 | RAM > A00 | RAM > A40 | RAM > A80 |
| COLOR: | COLOR: | COLOR: | COLOR: | COLOR: | COLOR: | COLOR: | COLOR: | COLOR: | COLOR: | COLOR: |
| >00 | >08 | >10 | >18 | >20 | >28 | >30 | >38 | >40 | >48 | >50 |
| >01 | >09 | >11 | >19 | >21 | >29 | >31 | >39 | >41 | >49 | >51 |
| >02 | >0A | >12 | >1A | >22 | >2A | >32 | >3A | >42 | >4A | >52 |
| >03 | >0B | >13 | >1B | >23 | >2B | >33 | >3B | >43 | >4B | >53 |
| >04 | >0C | >14 | >1C | >24 | >2C | >34 | >3C | >44 | >4C | >54 |
| >05 | >0D | >15 | >1D | >25 | >2D | >35 | >3D | >45 | >4D | >55 |
| >06 | >0E | >16 | >1E | >26 | >2E | >36 | >3E | >46 | >4E | >56 |
| >07 | >0F | >17 | >1F | >27 | >2F | >37 | >3F | >47 | >4F | >57 |
| SET 11 | SET 12 | SET 13 | SET 14 | SET 15 | SET 16 | SET 17 | SET 18 | SET 19 | SET 20 | SET 21 |
| RAM > AC0 | RAM > B00 | RAM > B40 | RAM > B80 | RAM > BC0 | RAM > C00 | RAM > C40 | RAM > C80 | RAM > CC0 | RAM > D00 | RAM > D40 |
| COLOR: | COLOR: | COLOR: | COLOR: | COLOR: | COLOR: | COLOR: | COLOR: | COLOR: | COLOR: | COLOR: |
| >58 | >60 | >68 | >70 | >78 | >80 | >88 | >90 | >98 | >A0 | >A8 |
| >59 | >61 | >69 | >71 | >79 | >81 | >89 | >91 | >99 | >A1 | >A9 |
| >5A | >62 | >6A | >72 | >7A | >82 | >8A | >92 | >9A | >A2 | >AA |
| >5B | >63 | >6B | >73 | >7B | >83 | >8B | >93 | >9B | >A3 | >AB |
| >5C | >64 | >6C | >74 | >7C | >84 | >8C | >94 | >9C | >A4 | >AC |
| >5D | >65 | >6D | >75 | >7D | >85 | >8D | >95 | >9D | >A5 | >AD |
| >5E | >66 | >6E | >76 | >7E | >86 | >8E | >96 | >9E | >A6 | >AE |
| >5F | >67 | >6F | >77 | >7F | >87 | >8F | >97 | >9F | >A7 | >AF |
| SET 22 | SET 23 | SET 24 | SET 25 | SET 26 | SET 27 | SET 28 | SET 29 | SET 30 | SET 31 | |
| RAM > D80 | RAM > DC0 | RAM > E00 | RAM > E40 | RAM > E80 | RAM > EC0 | RAM > F00 | RAM > F40 | RAM > F80 | RAM > FC0 | |
| COLOR: | COLOR: | COLOR: | COLOR: | COLOR: | COLOR: | COLOR: | COLOR: | COLOR: | COLOR: | |
| >B0 | >B8 | >C0 | >C8 | >D0 | >D8 | >E0 | >E8 | >F0 | >F8 | |
| >B1 | >B9 | >C1 | >C9 | >D1 | >D9 | >E1 | >E9 | >F1 | >F9 | |
| >B2 | >BA | >C2 | >CA | >D2 | >DA | >E2 | >EA | >F2 | >FA | |
| >B3 | >BB | >C3 | >CB | >D3 | >DB | >E3 | >EB | >F3 | >FB | |
| >B4 | >BC | >C4 | >CC | >D4 | >DC | >E4 | >EC | >F4 | >FC | |
| >B5 | >BD | >C5 | >CD | >D5 | >DD | >E5 | >ED | >F5 | >FD | |
| | >BE | >C6 | >CE | >D6 | >DE | >E6 | >EE | >F6 | >FE | |

MTC

FIGURE M.5



HOME COMPUTER "GROM" DEVELOPMENT

PROJECT:

A large rectangular area with rounded corners, filled with a grid of small squares. This grid is intended for handwritten notes or data entry. The grid is surrounded by a border of horizontal lines, and there are two circular punch holes on the left side of the page.

VIDEO/COPY:

A series of five horizontal lines provided for handwritten notes under the 'VIDEO/COPY:' heading.

AUDIO/TONES:

A single horizontal line provided for handwritten notes under the 'AUDIO/TONES:' heading.

ALPHABETICAL INDEX

| | <u>Page</u> |
|----------------------------|----------------------|
| Addressing Modes | |
| Direct | 3-5, 3-7 |
| Immediate | 3-2, 3-7 |
| Indexed | 3-5, 3-7 |
| Indexed Indirect | 3-7 |
| Indirect | 3-5, 3-7 |
| Top of Stack | 3-4 |
| ASCII Character Sets | 3-13, H-3, H-4 |
| Bit Reversal | H-5 |
| Cassette DSR | I-1 |
| CPU RAM | 2-9, 2-10 2-11 |
| Destination Address | 1-1, 3-4 |
| Floating Point Subroutines | K-1 |
| ATN | K-9 |
| CFI | K-10 |
| CNS | K-2 |
| COS | K-7 |
| CSN | K-10 |
| EXP | K-6 |
| FADD | K-11 |
| FCOMP | K-13 |
| FDIV | K-12 |
| FMUL | K-12 |
| FSUB | K-11 |
| INT | K-3 |
| LOG | K-6 |
| PWR | K-4 |
| SADD | K-13 |
| SCOMP | K-15 |
| SDIV | K-15 |
| SIN | K-5 |
| SMUL | K-14 |
| SQR | K-5 |
| SSUB | K-14 |
| TAN | K-8 |

ALPHABETICAL INDEX
Page 2

| | <u>Page</u> |
|------------------|---------------------|
| Function Keys | M-2, M-8 |
| GPL Assembler | 1-3, A-1 |
| GPL Directives | A-2 |
| BASE | A-3 |
| DATA | A-2 |
| END | A-2 |
| EQU | A-2 |
| GROM | A-3 |
| LIST | A-4 |
| LISTM | A-4 |
| ORG | A-3 |
| PAGE | A-4 |
| TITLE | A-2 |
| UNL | A-4 |
| UNLM | A-4 |
| GPL Instructions | 4-1, J-1, J-4 |
| A | 4-23 |
| ABS | 4-31 |
| ADD | 4-23 |
| ALL | 4-49 |
| AND | 4-34 |
| B | 4-15 |
| BACK | 4-48 |
| BR | 4-14, A-8 |
| BS | 4-13, A-8 |
| CALL | 4-17 |
| CARRY | 4-4, A-8 |
| CASE | 4-16 |
| CEQ | 4-6, A-8 |
| CGE | 4-10, A-8 |
| CGT | 4-9, A-8 |
| CH | 4-7, A-3 |
| CHE | 4-3, A-8 |
| CLOG | 4-11, A-8 |
| CLR | 4-37 |
| COINC | 4-47, E-1 |

ALPHABETICAL INDEX

Page 3

| | <u>Page</u> |
|--------------------------|-------------|
| GPL Instructions (Cont.) | |
| D | 4-26 |
| DA | 4-23 |
| DABS | 4-31 |
| DADD | 4-23 |
| DAND | 4-34 |
| DCASE | 4-16 |
| DCEQ | 4-6 |
| DCGE | 4-10 |
| DCGT | 4-9 |
| DCH | 4-7 |
| DCHE | 4-8 |
| DCLOG | 4-11 |
| DCLR | 4-37 |
| DCZ | 4-12 |
| DD | 4-26 |
| DDEC | 4-29 |
| DDECT | 4-30 |
| DDIV | 4-26 |
| DEC | 4-29 |
| DECT | 4-30 |
| DEX | 4-39 |
| DINC | 4-27 |
| DINCT | 4-28 |
| DINV | 4-33 |
| DIV | 4-26 |
| DM | 4-25 |
| DMUL | 4-25 |
| DNEG | 4-32 |
| DOR | 4-35 |
| DS | 4-24 |
| DSLL | 4-43 |
| DSRA | 4-44 |
| DSRC | 4-46 |
| DSRL | 4-45 |
| DST | 4-38 |
| DSUB | 4-24 |
| DXOR | 4-36 |
| EX | 4-39 |
| EXIT | 4-57, |
| | H-4 |
| FETCH | 4-18 |
| FMT | 4-50 |
| GT | 4-3, |
| | A-3 |
| H | 4-2, |
| | A-8 |
| HOME | 4-59 |
| I/O | 4-58, |
| | F-1 |

ALPHABETICAL INDEX
Page 4

| | <u>Page</u> |
|--------------------------|------------------------------|
| GPL Instructions (Cont.) | |
| INC | 4-27 |
| INCT | 4-28 |
| INV | 4-33 |
| M | 4-25 |
| MOVE | 4-42 |
| MUL | 4-25 |
| NEG | 4-32 |
| OR | 4-35 |
| OVF | 4-5, A-8 |
| POP | 4-41 |
| PUSH | 4-40 |
| RAND | 4-53 |
| RB | 4-21 |
| RTN | 4-19 |
| RTNC | 4-20 |
| S | 4-24 |
| SB | 4-21 |
| SCAN | 4-54 |
| SLL | 4-43 |
| SRA | 4-44 |
| SRC | 4-46 |
| SRL | 4-45 |
| ST | 4-38 |
| SUB | 4-24 |
| TBR | 4-21 |
| XML | 4-55, H-3, K-1, L-1 |
| XOR | 4-36 |
| GPL Macro Instructions | |
| \$CALL | A-7 |
| \$CASE | A-6 |
| \$ELSE | A-6 |
| \$END | A-5 |
| \$FOR - TO | A-5 |
| \$FOR - DOWNT0 | A-6 |
| \$GOTO | A-7 |
| \$IF - GOTO | A-6 |
| \$IF - THEN | A-6 |
| \$REPEAT | A-5 |
| \$SELSE | A-5 |
| \$SEND | A-5 |
| \$UNTIL | A-5 |
| \$WHILE | A-5 |

ALPHABETICAL INDEX
Page 5

| | <u>Page</u> |
|-------------------------------|----------------------|
| GPL Timing | 1-2 |
| Handsets | |
| Joystick Codes | D-8 |
| Remote | D-1, D-6, D-7 |
| Wired | D-2 |
| Instruction Formats | 3-9, 3-10 3-11 |
| Keyboards | |
| 40-Key | D-1, D-4, D-5 |
| Remote | D-2 |
| Label | 3-5 |
| Monitor | 1-3, H-4 |
| Multicolor Mode | 2-6, G-1 |
| Pattern Color Table | 2-2, 2-3, 2-4 |
| Pattern Generator Sets | |
| Multicolor Mode | G-2 |
| Normal Mode | 2-2 |
| Text Mode | G-1 |
| Pattern Name Table | |
| Multicolor Mode | G-2 |
| Normal Mode | 2-2, 3-1 |
| Text Mode | G-1 |
| Patterns (Characters) | 2-1 |
| Peripheral Access Block (PAB) | I-2 |
| Programming Conventions | M-1, M-5 |
| Radix 100 Numbers | K-16 |

ALPHABETICAL INDEX
Page 6

| | <u>Page</u> |
|-------------------------------|--------------------------------|
| Reference Documents | 1-4 |
| Sample Program | B-2 |
| Sound | C-1, H-5 |
| Source Operand | 1-1, 3-3 |
| Sprites | 2-3 |
| Sprite Attribute Block (SAB) | 2-3 |
| Sprite Descriptor Block (SOB) | 2-6 |
| Sprite Velocity Block (SVB) | 2-7, 3-1, B-1 |
| Block | 3-17, 3-21, H-1 |
| ization | H-1, H-2, H-3, H-5 |
| ation | 2-1 |
| | 2-8, G-1 |
| | 2-1, 2-9, 2-12 |
| Control Registers | 3-14, 3-15, 3-16, H-3 |

